

# Miniwash

➔ **FLAMINIA.**

design **GIULIO CAPPELLINI**

2016

## MWS + MWL60 Miniwash 60

Pair of wall fixing brackets + wall-hung basin cm 60

• WITHOUT OVERFLOW • WITHOUT TAP LEDGE

Complements: **Chromed towel holder (PMW60)**  
**Line taps basin: ONE - NOKÈ - SI - FOLD - X1**  
**Line accessories: TWO - HOOP - NOKÈ - FOLD**

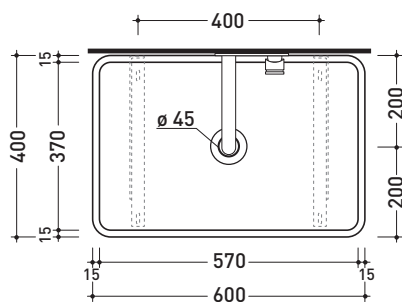
Technical accessories: **Chrome siphon (SIFL/CR) - Telescopic chrome siphon (SIFL066)**  
**Stop & Go drain (PLSG)**  
**CERAMIC Stop & Go drain (PLCE)**

Package dim. basin	Weight <b>16 kg</b>	Pz. Pallet n° <b>24</b>
--------------------	---------------------	-------------------------

Package dim. bracket	Weight <b>3 kg</b>	Pz. Pallet n° -
----------------------	--------------------	-----------------



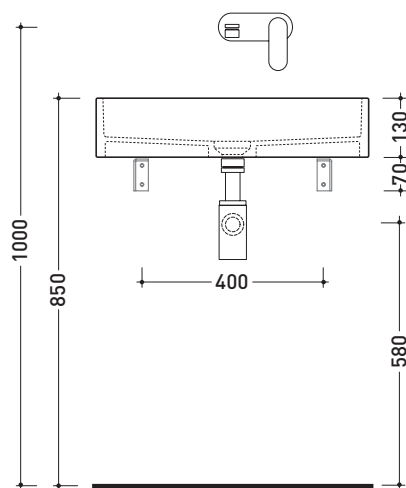
CE UNI EN 14688 - CL00 Dop-No14688



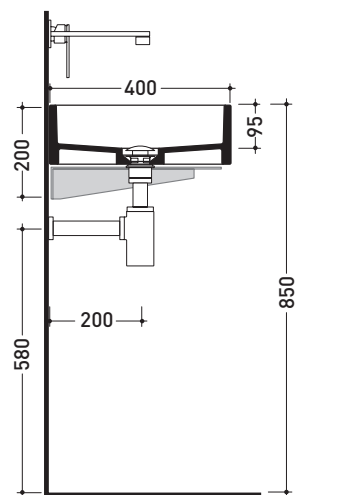
vista zenitale / zenital view



staffe di fissaggio MWS  
MWS fixing bracket



vista frontale / frontal view



sezione longitudinale / section

sizes in mm

Please consider a 2% tolerance on indicated measurements

**STAINLESS STEEL:** glossy finish



chrome

<http://www.ceramicaflaminia.it/en/products/300-miniwash-fly>

©ceramicaflaminiaspa - All rights reserved. Unauthorized copying, publication, reproduction as well as partial reproduction are prohibited

april 2020

