

MWS + MWL60 Miniwash 60

Pair of wall fixing brackets + wall-hung basin cm 60

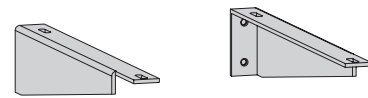
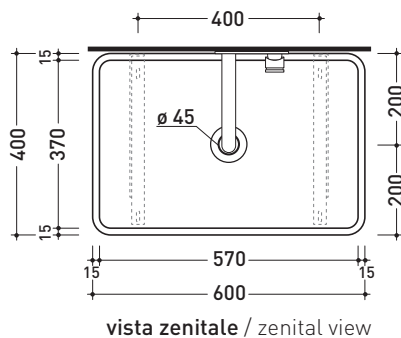
• WITHOUT OVERFLOW • WITHOUT TAP LEDGE

Complements: **Chromed towel holder (PMW60)**
Line taps basin: ONE - NOKÈ - SI - FOLD - X1
Line accessories: TWO - HOOP - NOKÈ - FOLD

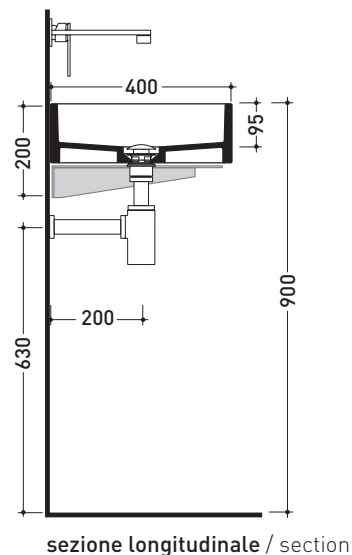
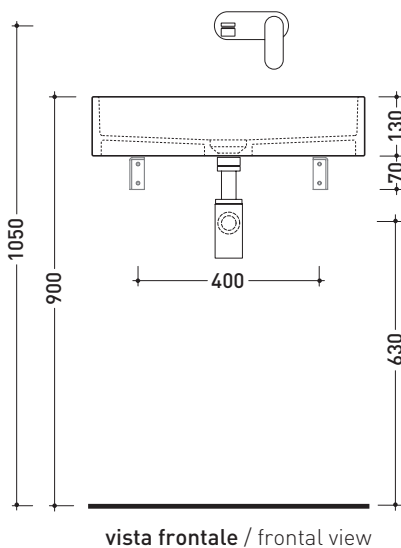
Technical accessories: **Chrome siphon (SIFL/CR) - Telescopic chrome siphon (SIFL066)**
Stop & Go drain (PLSG)
CERAMIC Stop & Go drain (PLCE)
Chrome waste with automatic integrated overflow (PLTPCR)
Waste with automatic integrated overflow and ceramic cover (PLTPCE)

Package dim. basin	Weight 16 kg	Pz. Pallet n° 24
Package dim. bracket	Weight 3 kg	Pz. Pallet n° -

CE UNI EN 14688 - CL00 Dop-No14688



staffe di fissaggio MWS
MWS fixing bracket



sizes in mm

Please consider a 2% tolerance on indicated measurements

STAINLESS STEEL: glossy finish



chrome