

Acquagrande

➔ **FLAMINIA.**

design **GIULIO CAPPELLINI** and **ROBERTO PALOMBA** 1997

5052 Acquagrande 60

Countertop - wall hung basin 60 cm

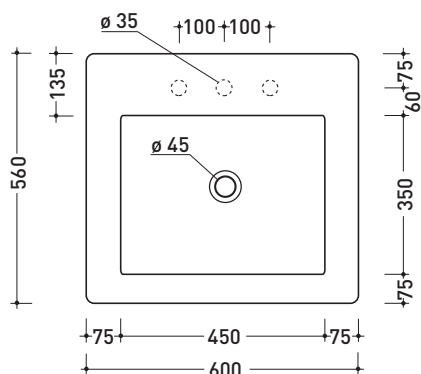
•WITH OVERFLOW •ARRANGED FOR THREE HOLES TAP

Complements: **Couple brackets (AQ04)**
Bracket with towel holder (STUB60)
Compono System benches (CSM90 - CSP135L)
Line taps basin: ONE - NOKÉ - SI - FOLD - X1
Line accessories: TWO - HOOP - NOKÉ - FOLD

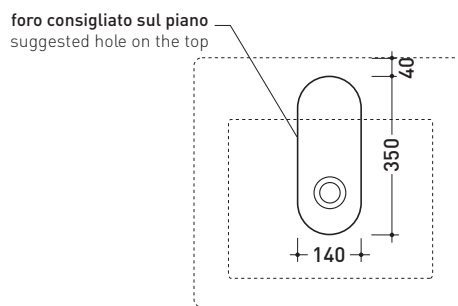
Technical accessories: **Chrome siphon (SIFL/CR) - Telescopic chrome siphon (SIFL066)**
Stop & Go drain (PLSG)
CERAMIC Stop & Go drain (PLCE)
Two piece set chrome tap filters (RF026)
Fixing kit for wall (9002)

Package dim. **62,5 x 25 x 60 cm** | Weight **32,5 kg** | Pz. Pallet n° **12**

CE UNI EN 14688 - CL20 Dop-No14688

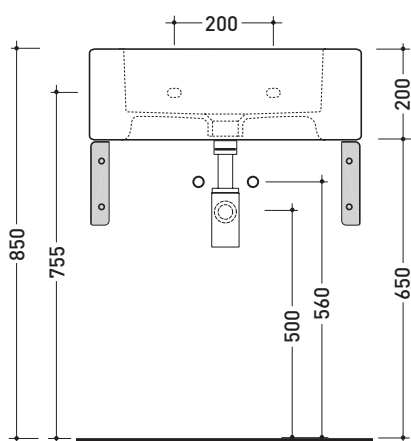


vista zenitale / zenital view

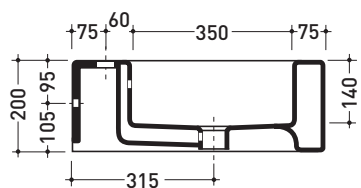


foro consigliato sul piano
suggested hole on the top

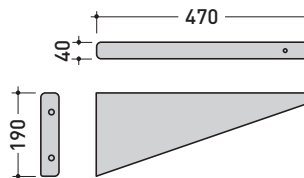
vista zenitale / zenital view



vista frontale / frontal view



sezione longitudinale / section



art. AQ04 (OPTIONAL)
staffe di sostegno / supporting brackets

sizes in mm

Please consider a 2% tolerance on indicated measurements

CERAMIC: glossy finish



matt finish



<http://www.ceramicaflaminia.it/en/lines/275-acquagrande>

©ceramicaflaminiaspa - All rights reserved. Unauthorized copying, publication, reproduction as well as partial reproduction are prohibited

march 2019

