

Acquagrande

➔ **FLAMINIA.**

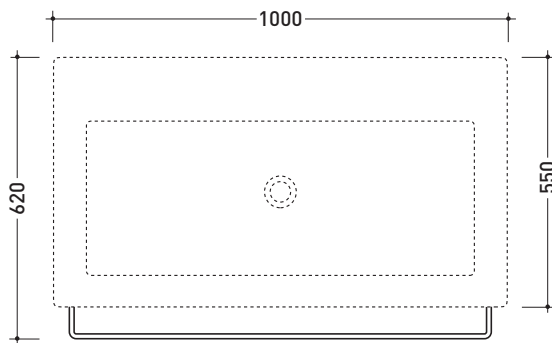
design **GIULIO CAPPELLINI** and **ROBERTO PALOMBA** 1997

STUB100 for Acquagrande 100

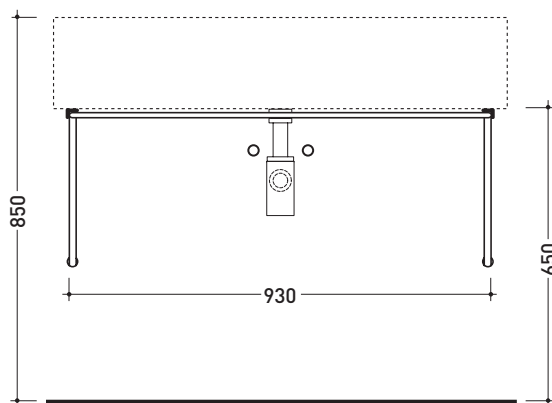
Supporting brackets for wall hung Acquagrande 100 art. 5051

Complements: Acquagrande 100 wall hung basin (5051)
Line taps basin: ONE - NOKÉ - SI - FOLD
Line accessories: TWO - HOOP - NOKÉ - FOLD

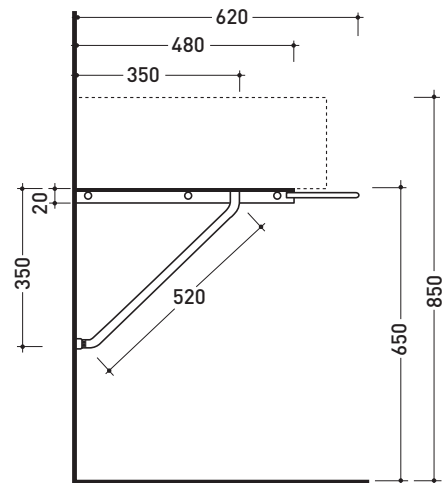
Package dim. 111 x 28 x 6 cm | Weight 3,8 kg | Pz. Pallet n° -



vista zenitale / zenital view



vista frontale / frontal view



vista laterale / lateral view

sizes in mm

STEEL: glossy finish



chrome

<http://www.ceramicaflaminia.it/en/lines/275-acquagrande>

©ceramicaflaminiaspa - All rights reserved. Unauthorized copying, publication, reproduction as well as partial reproduction are prohibited

march 2019

