

# Acquagrande

design **GIULIO CAPPELLINI** and **ROBERTO PALOMBA** 1997

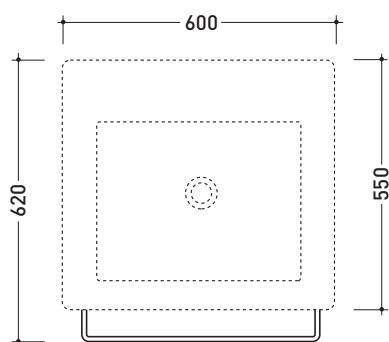
## STUB60 for Acquagrande 60

Supporting brackets for wall hung Acquagrande 60 art. 5052

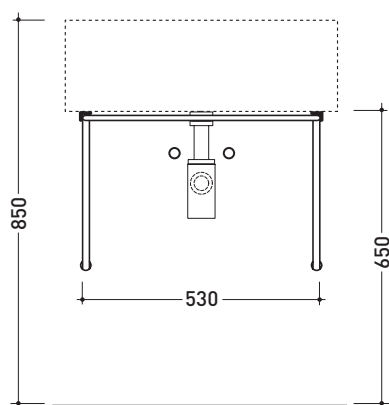
Complements: Acquagrande 60 wall hung basin (5052)  
Line taps basin: ONE - NOKÉ - SI - FOLD  
Line accessories: TWO - HOOP - NOKÉ - FOLD

Package dim. 62 x 23,5 x 5 cm | Weight 3 kg | Pz. Pallet n° -

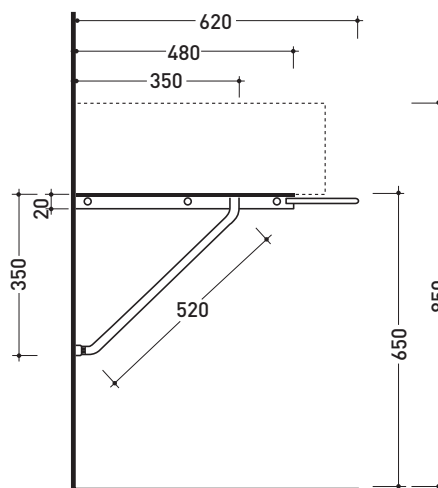
➔ **FLAMINIA.**



vista zenitale / zenital view



vista frontale / frontal view



vista laterale / lateral view

sizes in mm

STEEL: glossy finish



chrome

<http://www.ceramicaflaminia.it/en/lines/275-acquagrande>

©ceramicaflaminiaspa - All rights reserved. Unauthorized copying, publication, reproduction as well as partial reproduction are prohibited

march 2019

