

# Acquagrande

➔ **FLAMINIA.**

design **GIULIO CAPPELLINI** and **ROBERTO PALOMBA** 1997

## 5051/INC Acquagrande 100

Recessed basin 100 cm

•WITH OVERFLOW •ARRANGED FOR SEVEN HOLES TAP

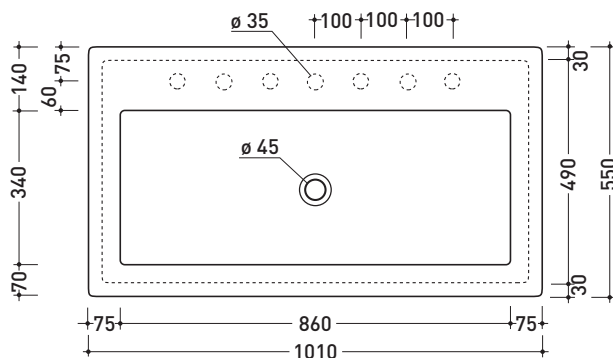
Complements: **Line taps basin: ONE - NOKÉ - SI - FOLD - X1**  
**Line accessories: TWO - HOOP - NOKÉ - FOLD**

Technical accessories: **Chrome siphon (SIFL/CR) - Telescopic chrome siphon (SIFL066)**  
**Stop & Go drain (PLSG)**  
**CERAMIC Stop & Go drain (PLCE)**  
**Two piece set chrome tap filters (RF026)**

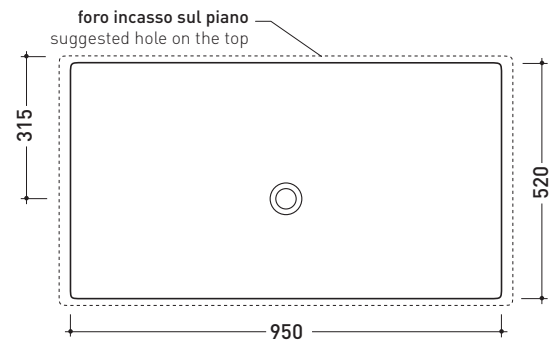
Package dim. 104 x 25 x 60 cm | Weight 41,5 kg | Pz. Pallet n° 8



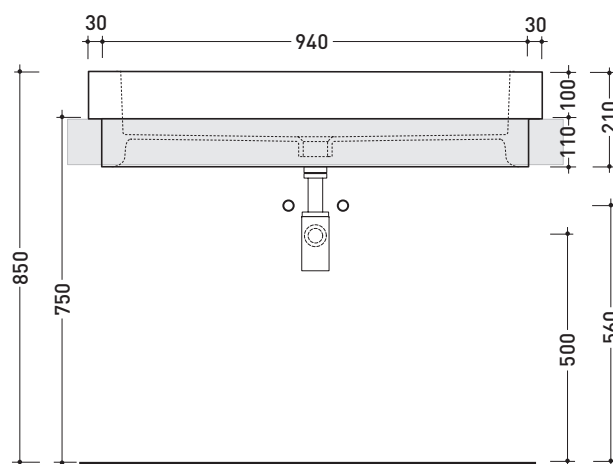
CE UNI EN 14688 - CL20 Dop-No14688



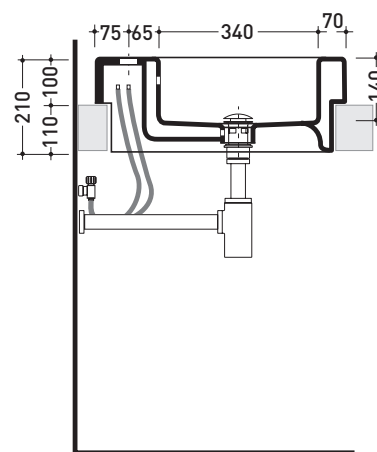
vista zenitale / zenital view



vista zenitale / zenital view



vista frontale / frontal view



sezione longitudinale / section

sizes in mm

Please consider a 2% tolerance on indicated measurements

CERAMIC: glossy finish



matt finish



<http://www.ceramicaflaminia.it/en/lines/275-acquagrande>

©ceramicaflaminiaspa - All rights reserved. Unauthorized copying, publication, reproduction as well as partial reproduction are prohibited

march 2019

