

Acquagrande

➔ **FLAMINIA.**

design **GIULIO CAPPELLINI** and **ROBERTO PALOMBA** 1997

5052/INC Acquagrande 60

Recessed basin 60 cm

•WITH OVERFLOW •ARRANGED FOR THREE HOLES TAP

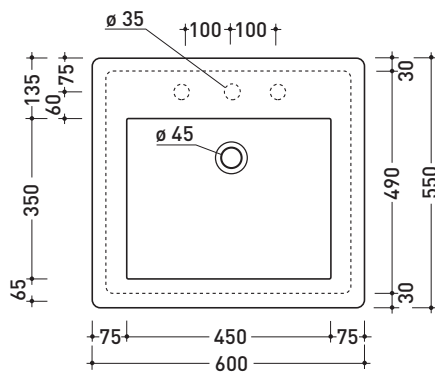
Complements: **Line taps basin:** ONE - NOKÉ - SI - FOLD - X1
Line accessories: TWO - HOOP - NOKÉ - FOLD

Technical accessories: **Chrome siphon (SIFL/CR)** - **Telescopic chrome siphon (SIFL066)**
Stop & Go drain (PLSG)
CERAMIC Stop & Go drain (PLCE)
Two piece set chrome tap filters (RF026)

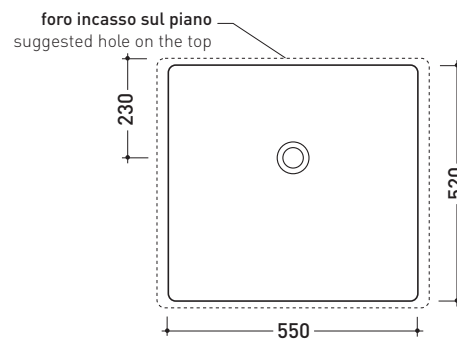
Package dim. 62,5 x 25 x 60 cm | Weight 27,5 kg | Pz. Pallet n° 12



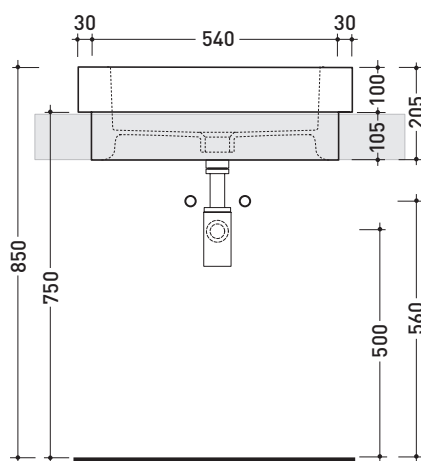
CE UNI EN 14688 - CL20 Dop-No14688



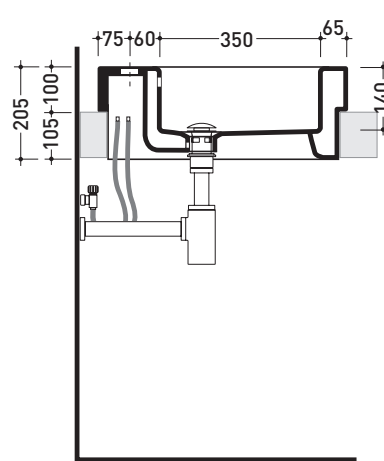
vista zenitale / zenital view



vista zenitale / zenital view



vista frontale / frontal view



sezione longitudinale / section

sizes in mm

Please consider a 2% tolerance on indicated measurements

CERAMIC: glossy finish



matt finish



<http://www.ceramicaflaminia.it/en/lines/275-acquagrande>

©ceramicaflaminiaspa - All rights reserved. Unauthorized copying, publication, reproduction as well as partial reproduction are prohibited

march 2019

