

design **JASPER MORRISON**

2013

BN50A Bonola 50

Basin 50 cm - countertop or suitable for pedestal

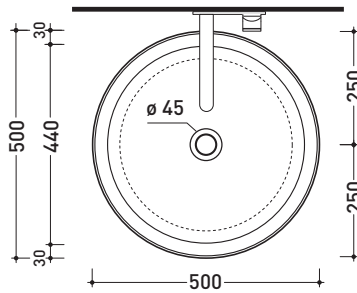
•WITHOUT OVERFLOW

Complements: **Bonola pedestal (BN50C)**
Furniture BOX - depth. 50
Line taps basin: ONE - NOKÉ - SI - FOLD - X1
Line accessories: TWO - HOOP - NOKÉ - FOLD

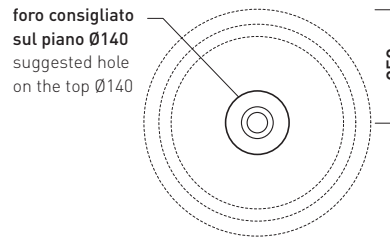
Technical accessories: **Chrome siphon (SIFL/CR) - Telescopic chrome siphon (SIFL066)**
Stop & Go drain (PLSG)
CERAMIC Stop & Go drain (PLCE)
Two piece set chrome tap filters (RF026)

Package dim. **53 x 17,5 x 49 cm** | Weight **15,3 kg** | Pz. Pallet n° -

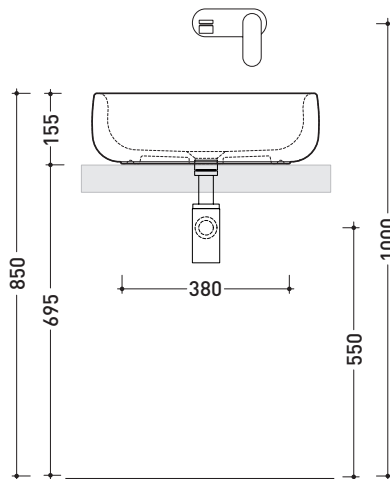
CE UNI EN 14688 - CL00 Dop-No14688



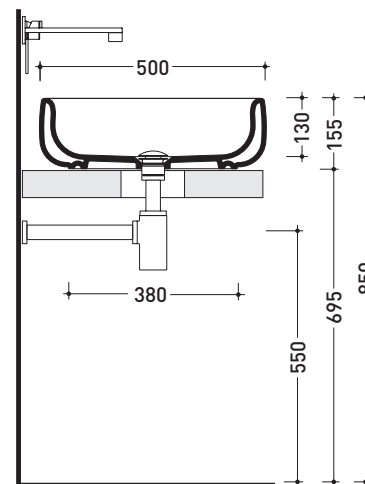
vista zenitale / zenital view



vista zenitale / zenital view



vista frontale / frontal view



sezione longitudinale / section

sizes in mm

Please consider a 2% tolerance on indicated measurements

CERAMIC: glossy finish



white black

matt finish



milky white graphite lava grey argilla nuvola fango rosso rubens petrolio

<http://www.ceramicaflaminia.it/en/lines/279-bonola>

©ceramicaflaminiaspa - All rights reserved. Unauthorized copying, publication, reproduction as well as partial reproduction are prohibited

april 2019

