

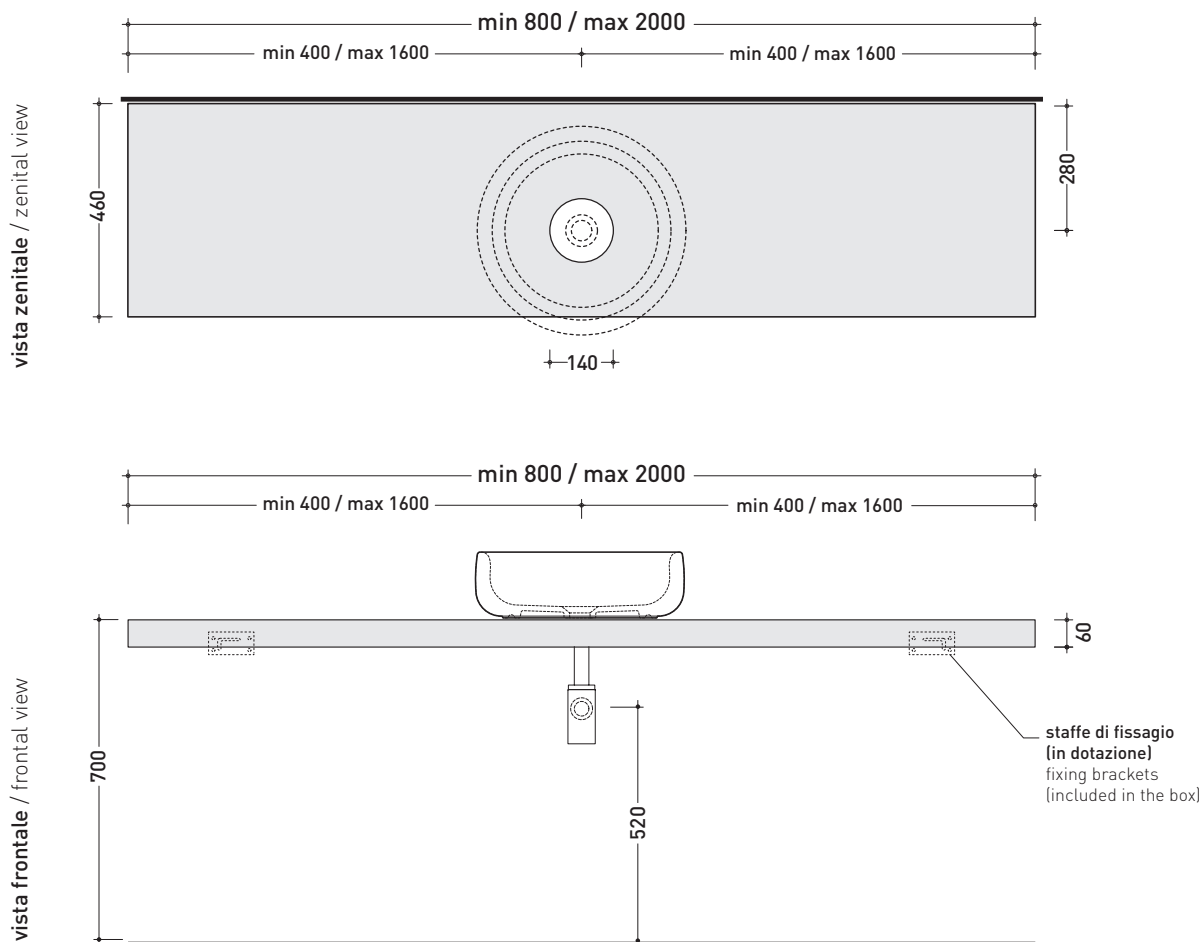
SLBN suitable for Bonola (BN46A - BN60A) - Saltodacqua (SD42L)

Shelf from 80 to 200 x 46 x h 6 cm suitable for Bonola and Saltodacqua countertop basins (fixing brackets included)

Complements: **Make-Up mirrors and lamps**
App mirros
Simple mirros
Hot/Cold mirror (SPHC)
Left/Right mirror (SPLR)
Line mirrors (BASC20 - BASC30 - BASC40)



Tap holes are not made on this article by Flaminia



sizes in mm

WOOD: rustic finish



brown



MODULO PER LA REALIZZAZIONE DELLE MENSOLE **SOLID** A MISURA PER ART. **BN46A - BN60A - SD42L**

SOLID CUSTOMIZED SHELVES FOR ART. **BN46A - BN60A - SD42L** FORM



E' obbligatorio fotocopiare questa pagina, compilarla con cura e allegarla all'ordine.
It is compulsory to photocopy this page, carefully fill in and attach to the order.

➔➔ **1**

DETTAGLI ORDINE / ORDER DETAILS

ordinante - buyer		cliente - client	
ordine - order n:	data - date:	ref.:	
annotazioni - notes			

➔➔ **2**

SCELTA ARTICOLO / ITEM CHOICE

E' importante consultare prima la scheda tecnica relativa
It's important to consult before the technical detail

art. **SLBN**
mensola / shelf da / from 80 a / to 200 cm

➔➔ **3**

SCELTA MATERIALE / MATERIAL SELECTION

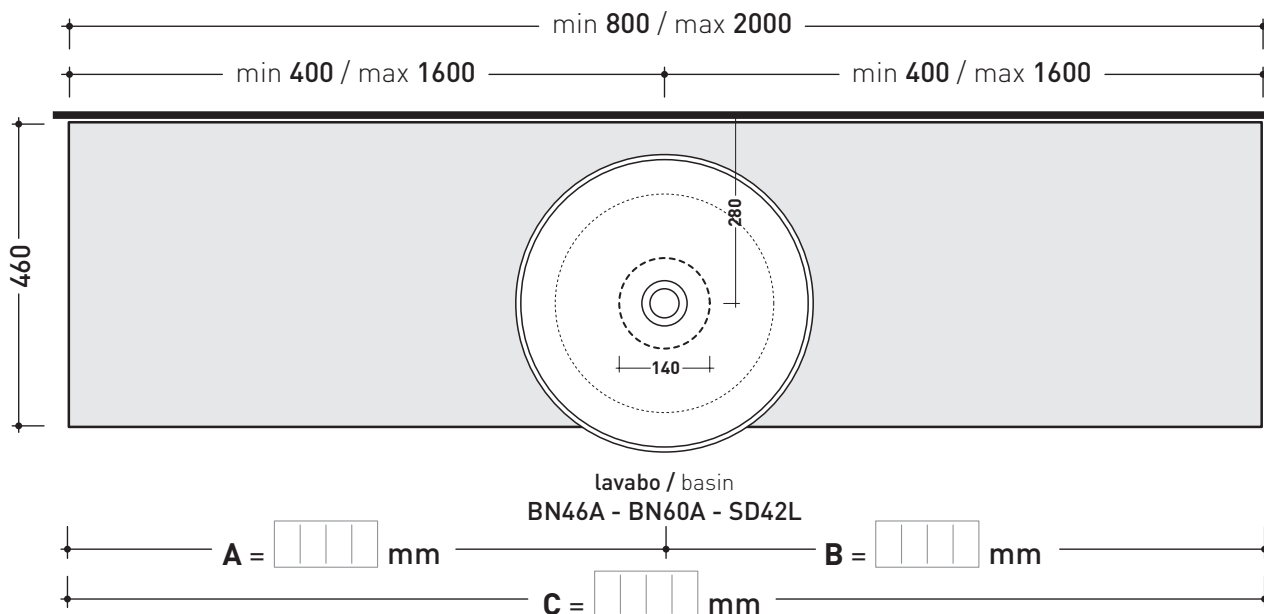
LEGNO RUSTICO / RUSTIC WOOD

marrone - brown

➔➔ **4**

SCELTA MISURE / MEASURES

➔ **FLAMINIA.**



- A = misura interasse lavabo da sinistra / left distance of basin.
- B = misura interasse lavabo da destra / right distance of basin.
- C = misura totale della mensola / total length of the shelf.
- verificare sempre che / verify that: **A + B = C.**



MODULO PER LA REALIZZAZIONE DELLE MENSOLE **SOLID** A MISURA PER DOPPIO ART. **BN46A - BN60A - SD42L**

SOLID CUSTOMIZED SHELVES FOR DOUBLE ART. BN46A - BN60A - SD42L FORM



E' obbligatorio fotocopiare questa pagina, compilarla con cura e allegarla all'ordine.
It is compulsory to photocopy this page, carefully fill in and attach to the order.

➔➔ 1 DETTAGLI ORDINE / ORDER DETAILS

ordinante - buyer		cliente - client	
ordine - order n:	data - date:	ref.:	
annotazioni - notes			

➔➔ 2 SCELTA ARTICOLO / ITEM CHOICE

E' importante consultare prima la scheda tecnica relativa
It's important to consult before the technical detail

art. **SLBN**
mensola / shelf da / from 156 a / to 200 cm

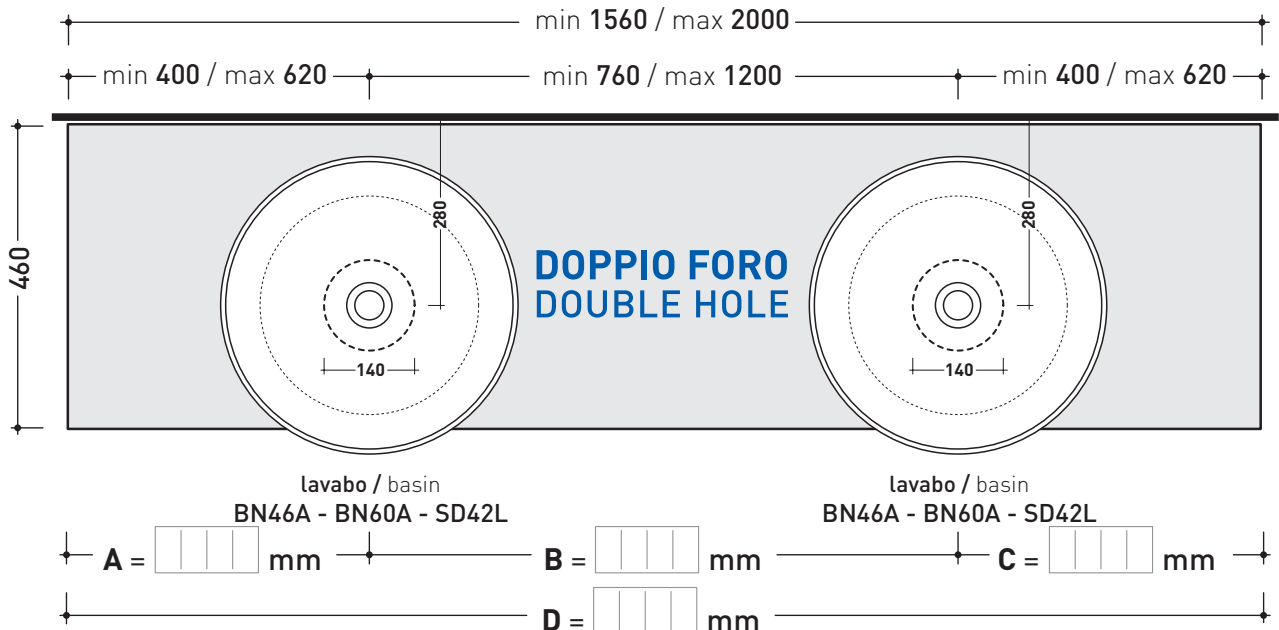
➔➔ 3 SCELTA MATERIALE / MATERIAL SELECTION

LEGNO RUSTICO / RUSTIC WOOD

marrone - brown

➔➔ 4 SCELTA MISURE / MEASURES

➔ **FLAMINIA.**



- A = misura interasse lavabo da sinistra / left distance of basin.
- B = misura interasse lavabi / distance between basins.
- C = misura interasse lavabo da destra / right distance of basin.

- D = misura totale della mensola / total length of the shelf.
- verificare sempre che / verify that: **A + B + C = D.**