

design FLAMINIA DESIGN TEAM

2010

F68081 suitable for cont.top Nuda 85 (5081)

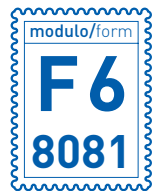
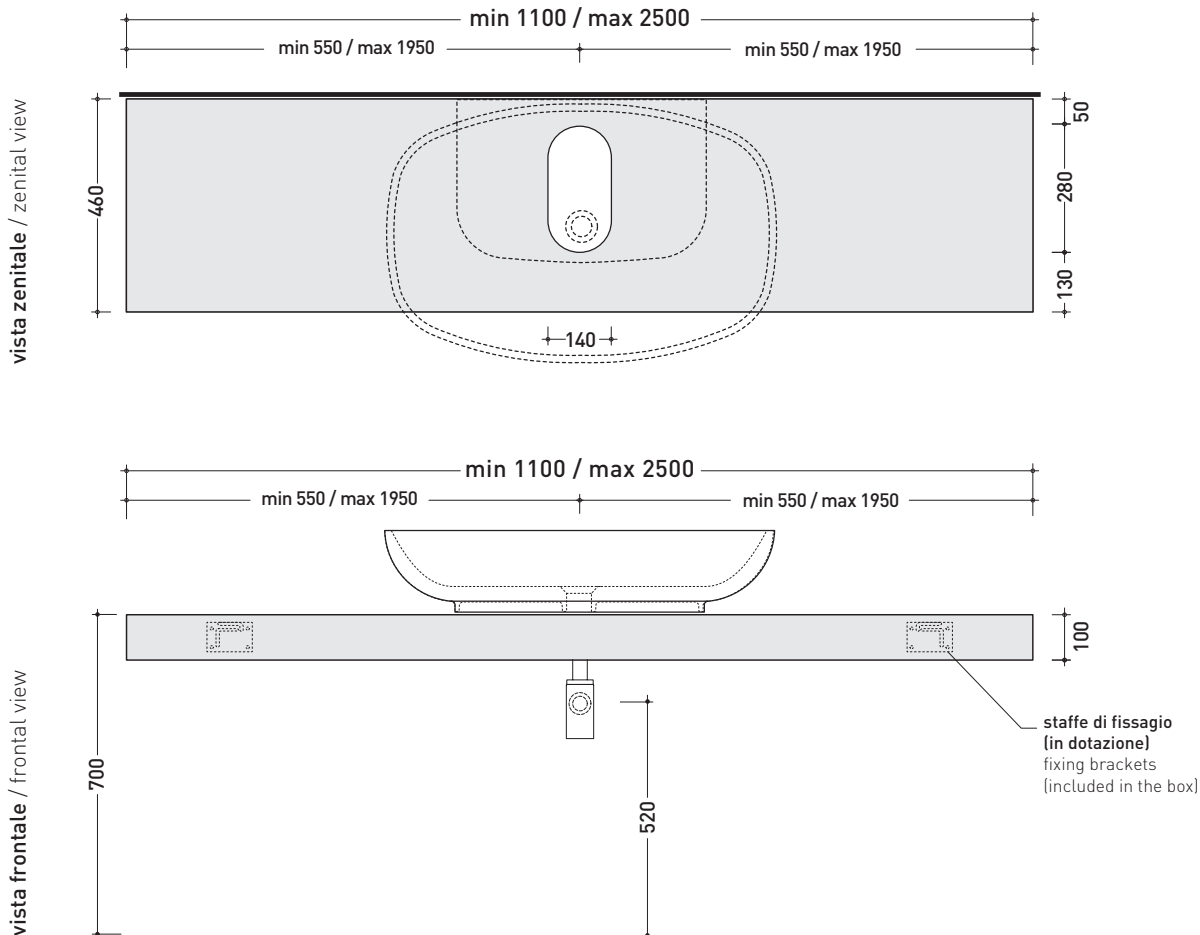
Shelf from 110 to 250 x 46 x h 10 cm suitable for Nuda 85 basin
(fixing brackets included)

Complements: MAKE-UP mirrors and lamps
APP, FLAG, MADRE, SIMPLE mirrors
HOT/COLD mirror (SPHC)
LEFT/RIGHT mirror (SPLR)
LINE mirrors (BASC20 - BASC30 - BASC40)



TAP HOLES ARE NOT MADE ON THIS ARTICLE BY FLAMINIA

CE



REFERENCE TO
THE COMPULSORY
ORDER FORM

sizes in mm

PIETRALUCE: glossy finish



white black marine blue red beige sand grey

matt finish



milky white carbone lava grey argilla cenere

design FLAMINIA DESIGN TEAM

2010

F68081 suitable for Nuda 85 tap ledge (5081)

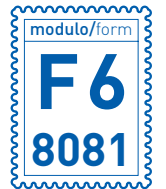
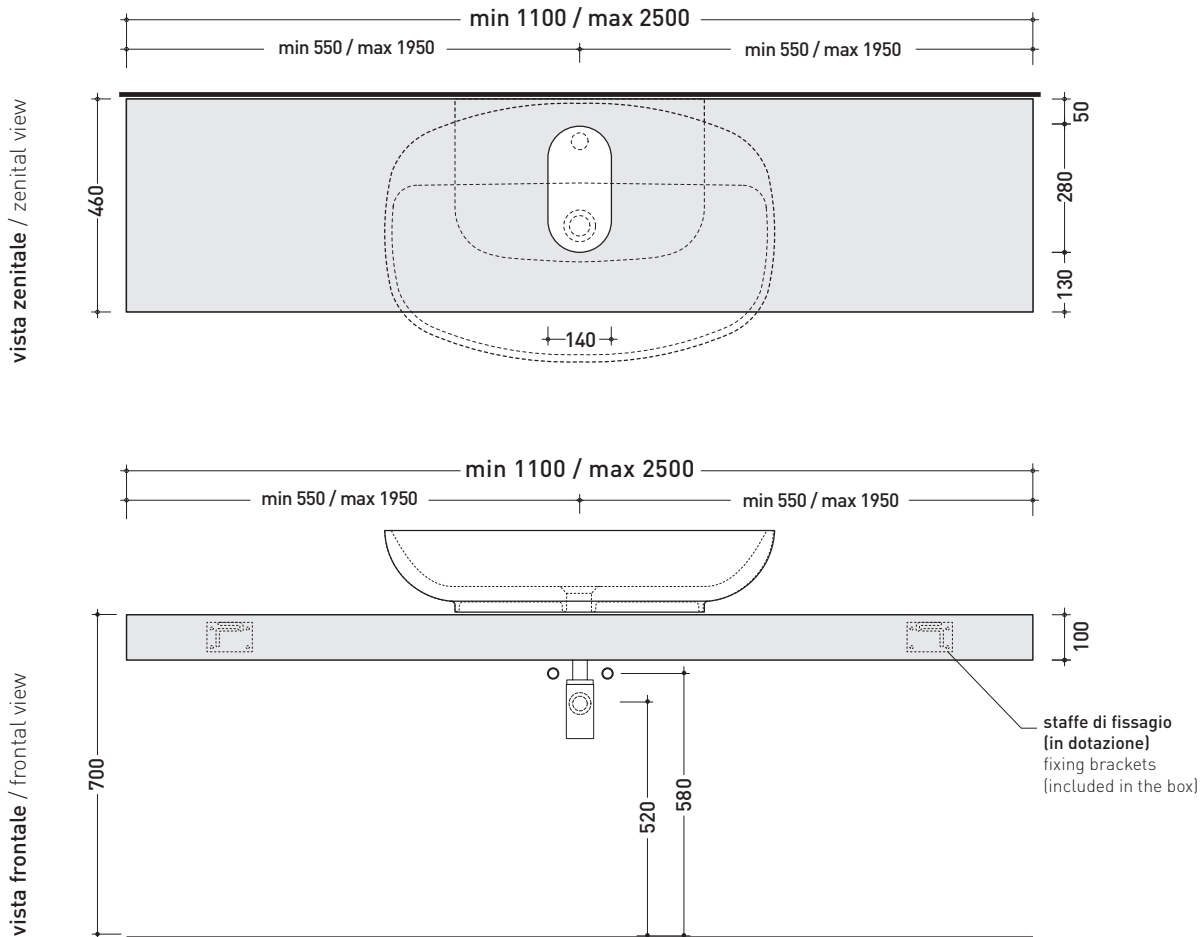
Shelf from 110 to 250 x 46 x h 10 cm suitable for Nuda 85 basin with tap ledge (fixing brackets included)

Complements: MAKE-UP mirrors and lamps
APP, FLAG, MADRE, SIMPLE mirrors
HOT/COLD mirror (SPHC)
LEFT/RIGHT mirror (SPLR)
LINE mirrors (BASC20 - BASC30 - BASC40)



TAP HOLES ARE NOT MADE ON THIS ARTICLE BY FLAMINIA

CE



REFERENCE TO
THE COMPULSORY
ORDER FORM

sizes in mm

PIETRALUCE: glossy finish



white black marine blue red beige sand grey

matt finish



milky white carbone lava grey argilla cenere



MODULO PER LA REALIZZAZIONE DELLE MENSOLE **FORTY6** A MISURA PER ART. **5080 / 5081**

FORTY6 CUSTOMIZED SHELVES FOR ART. **5080 / 5081** FORM



E' obbligatorio fotocopiare questa pagina, compilarla con cura e allegarla all'ordine.
It is compulsory to photocopy this page, carefully fill in and attach to the order.

➔➔ **1**

DETTAGLI ORDINE / ORDER DETAILS

ordinante - buyer		cliente - client	
ordine - order n:	data - date:	ref.:	
annotazioni - notes			

➔➔ **2**

SCELTA ARTICOLO / ITEM CHOICE

E' importante consultare prima la scheda tecnica relativa
It's important to consult before the technical detail

art. F68081
mensola / shelf da / from 110 a / to 250 cm

➔➔ **3**

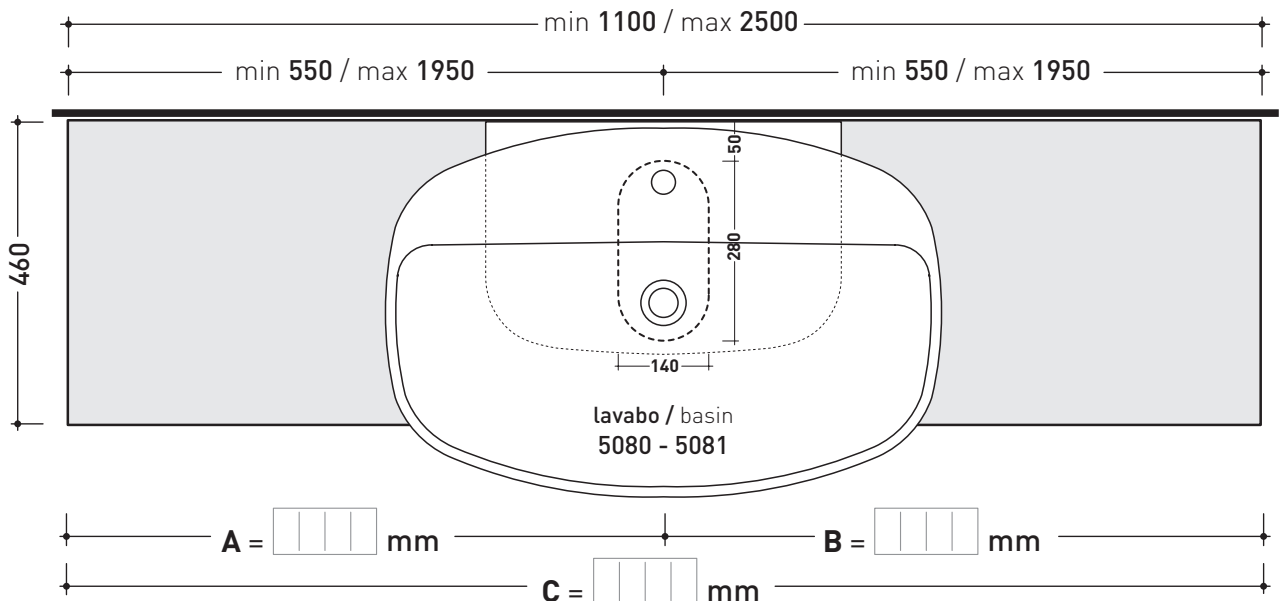
SCELTA MATERIALE / MATERIAL SELECTION

PIETRALUCE lucida / glossy		PIETRALUCE opaco / mat	
<input type="checkbox"/> bianco - white	<input type="checkbox"/> sabbia - sand	<input type="checkbox"/> argilla - argilla	<input type="checkbox"/> gr. lava - lava grey
<input type="checkbox"/> grigio - grey	<input type="checkbox"/> nero - black	<input type="checkbox"/> latte - milky white	<input type="checkbox"/> carbone - carbone
<input type="checkbox"/> beige - beige	<input type="checkbox"/> rosso cuoio - red	<input type="checkbox"/> cenere - cenere	
<input type="checkbox"/> blu ultram. - marine blue			

➔➔ **4**

SCELTA MISURE / MEASURES

➔ **FLAMINIA.**




• **A** = misura interasse lavabo da sinistra / left distance of basin. • **C** = misura totale della mensola / total length of the shelf.
• **B** = misura interasse lavabo da destra / right distance of basin. • verificare sempre che / verify that: **A + B = C**.



MODULO PER LA REALIZZAZIONE DELLE MENSOLE **FORTY6** A MISURA PER DOPPIO ART. **5080 /**

5081

 **E' obbligatorio fotocopiare questa pagina, compilarla con cura e allegarla all'ordine.**
It is compulsory to photocopy this page, carefully fill in and attach to the order.

➔➔ **1** DETTAGLI ORDINE / ORDER DETAILS

ordinante - buyer _____ cliente - client _____

ordine - order n: _____ data - date: _____ ref.: _____

annotazioni - notes _____

➔➔ **2** SCELTA ARTICOLO / ITEM CHOICE

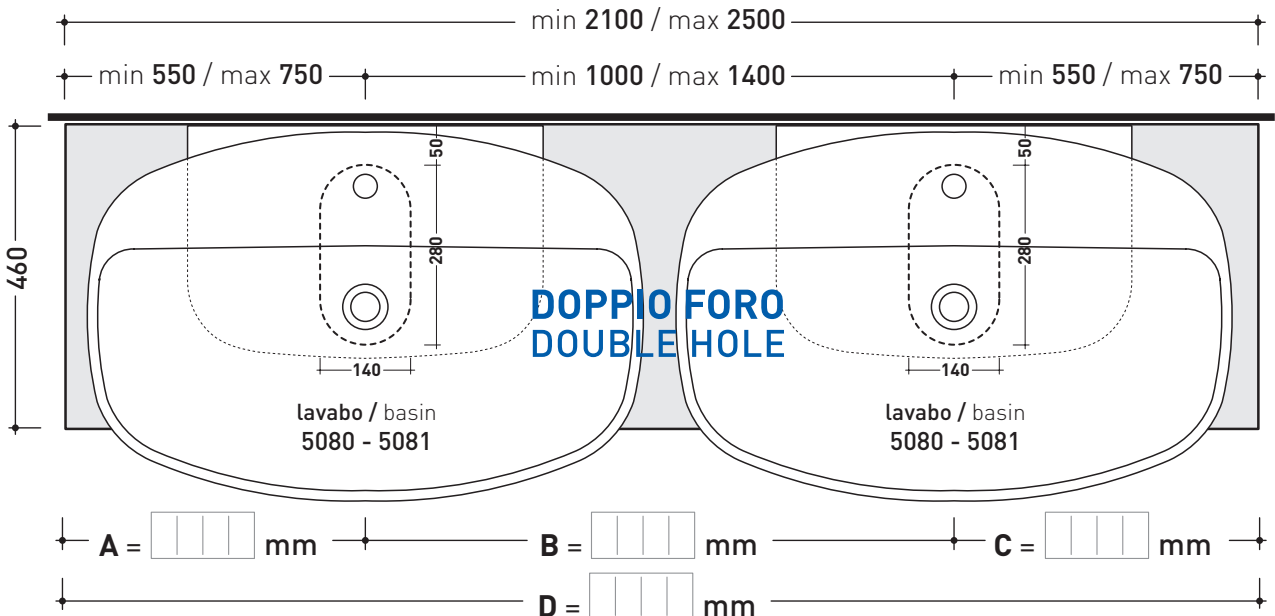
E' importante consultare prima la scheda tecnica relativa
It's important to consult before the technical detail

art. **F68081**
mensola / shelf da / from 210 a / to 250 cm

➔➔ **3** SCELTA MATERIALE / MATERIAL SELECTION

PIETRALUCE lucida / glossy		PIETRALUCE opaco / mat	
<input type="checkbox"/> bianco - white	<input type="checkbox"/> sabbia - sand	<input type="checkbox"/> argilla - argilla	<input type="checkbox"/> gr. lava - lava grey
<input type="checkbox"/> grigio - grey	<input type="checkbox"/> nero - black	<input type="checkbox"/> latte - milky white	<input type="checkbox"/> carbone - carbone
<input type="checkbox"/> beige - beige	<input type="checkbox"/> rosso cuoio - red	<input type="checkbox"/> cenere - cenere	
<input type="checkbox"/> blu ultram. - marine blue			

➔➔ **4** SCELTA MISURE / MEASURES



- A = misura interasse lavabo da sinistra / left distance of basin.
- B = misura interasse lavabi / distance between basins.
- C = misura interasse lavabo da destra / right distance of basin.

- D = misura totale della mensola / total length of the shelf.
- verificare sempre che / verify that: **A + B + C = D.**