

## F6PS72 suitable for Pass 72 (PS72L)

Shelf from 90 to 250 x 46 x h 10 cm suitable for Pass 72 basin  
(fixing brackets included)

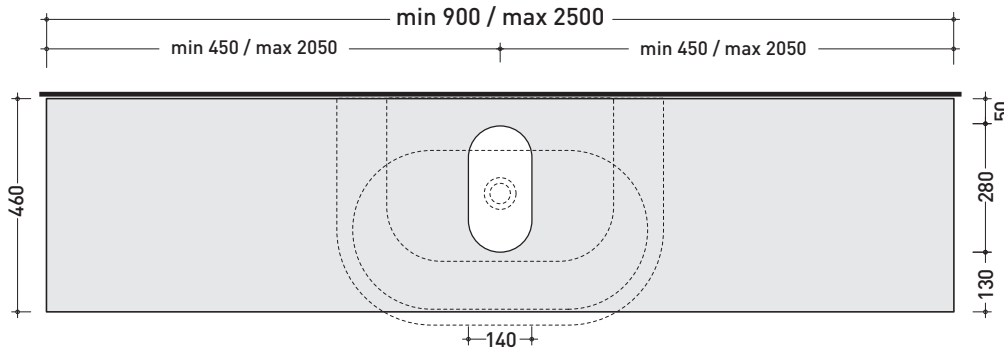
Complements: MAKE-UP mirrors and lamps  
APP, FLAG, MADRE, SIMPLE mirrors  
HOT/COLD mirror (SPHC)  
LEFT/RIGHT mirror (SPLR)  
LINE mirrors (BASC20 - BASC30 - BASC40)



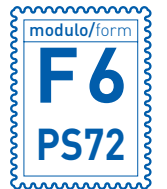
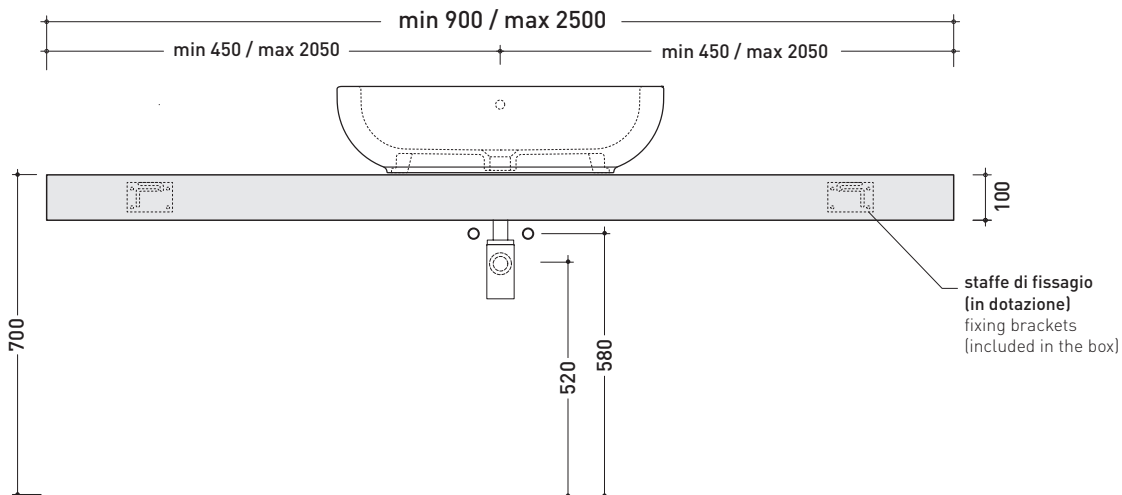
TAP HOLES ARE NOT MADE ON THIS ARTICLE BY FLAMINIA



vista zenitale / zenital view



vista frontale / frontal view



REFERENCE TO  
THE COMPULSORY  
ORDER FORM

sizes in mm

PIETRALUCE: glossy finish



white black marine blue red beige sand grey

matt finish



milky white carbone lava grey argilla cenere



MODULO PER LA REALIZZAZIONE DELLE MENSOLE **FORTY6** A MISURA PER ART. **PS72L**

**FORTY6** CUSTOMIZED SHELVES FOR ART. **PS72L** FORM



**E' obbligatorio fotocopiare questa pagina, compilarla con cura e allegarla all'ordine.**  
It is compulsory to photocopy this page, carefully fill in and attach to the order.

➔➔ **1**

**DETTAGLI ORDINE / ORDER DETAILS**

ordinante - buyer cliente - client

ordine - order n: \_\_\_\_\_ data - date: \_\_\_\_\_ ref.: \_\_\_\_\_

annotazioni - notes \_\_\_\_\_

➔➔ **2**

**SCELTA ARTICOLO / ITEM CHOICE**

E' importante consultare prima la scheda tecnica relativa  
It's important to consult before the technical detail

**art. F6PS72**  
mensola / shelf da / from 90 a / to 250 cm

➔➔ **3**

**SCELTA MATERIALE / MATERIAL SELECTION**

**PIETRALUCE** lucida / glossy

- bianco - white
- grigio - grey
- beige - beige
- blu ultram. - marine blue

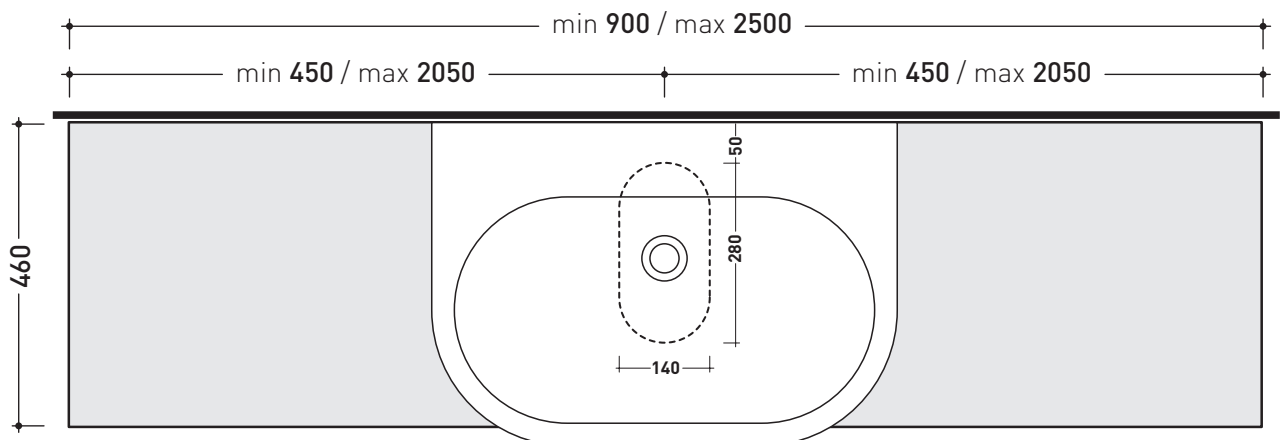
- sabbia - sand
- nero - black
- rosso cuoio - red

**PIETRALUCE** opaco / mat

- argilla - argilla
- latte - milky white
- cenere - cenere
- gr. lava - lava grey
- carbone - carbone

➔➔ **4**

**SCELTA MISURE / MEASURES**



**➔ FLAMINIA.**


lavabo / basin  
**PS72L**



• **A** = misura interasse lavabo da sinistra / left distance of basin.    • **C** = misura totale della mensola / total length of the shelf.  
• **B** = misura interasse lavabo da destra / right distance of basin.    • verificare sempre che / verify that: **A + B = C.**



MODULO PER LA REALIZZAZIONE DELLE MENSOLE **FORTY6** A MISURA PER DOPPIO ART. **PS72L**  
**FORTY6** CUSTOMIZED SHELVES FOR DOUBLE ART. **PS72L** FORM

 **E' obbligatorio fotocopiare questa pagina, compilarla con cura e allegarla all'ordine.**  
 It is compulsory to photocopy this page, carefully fill in and attach to the order.

➔➔ **1** DETTAGLI ORDINE / ORDER DETAILS

ordinante - buyer cliente - client

ordine - order n: \_\_\_\_\_ data - date: \_\_\_\_\_ ref.: \_\_\_\_\_

annotazioni - notes \_\_\_\_\_

➔ **2** SCELTA ARTICOLO / ITEM CHOICE

E' importante consultare prima la scheda tecnica relativa  
 It's important to consult before the technical detail

art. **F6PS72**  
 mensola / shelf da / from 192 a / to 250 cm

➔➔ **3** SCELTA MATERIALE / MATERIAL SELECTION

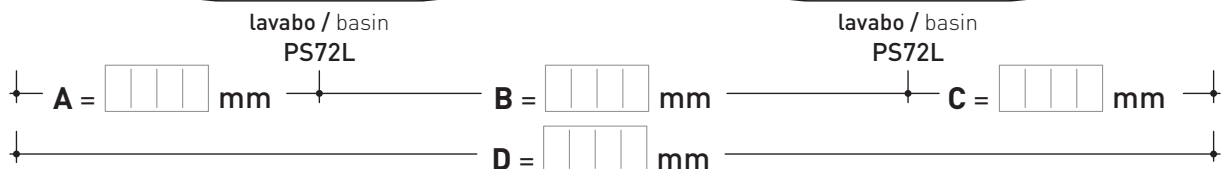
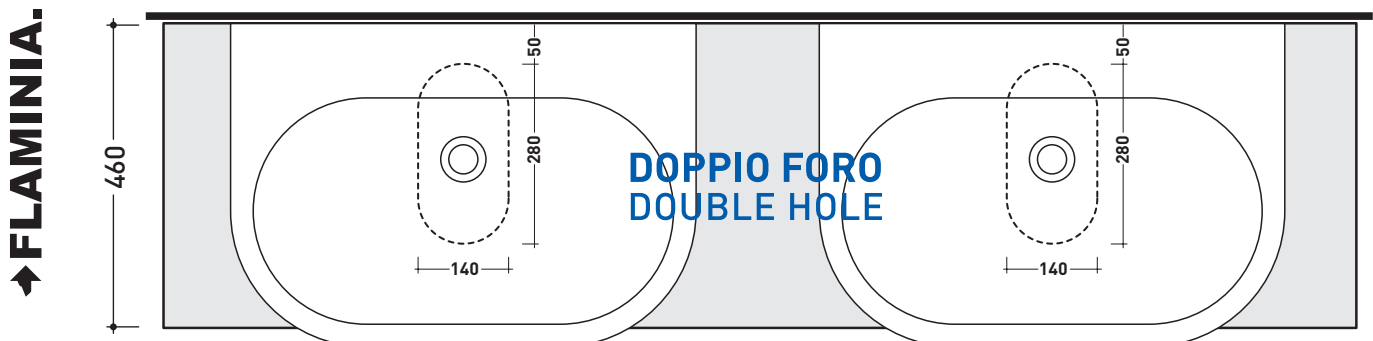
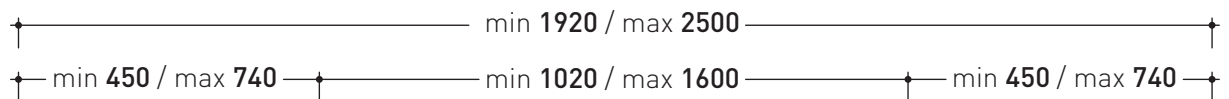
**PIETRALUCE** lucida / glossy

- |  |  |
|--|--|
| <input type="checkbox"/> bianco - white            | <input type="checkbox"/> sabbia - sand     |
| <input type="checkbox"/> grigio - grey             | <input type="checkbox"/> nero - black      |
| <input type="checkbox"/> beige - beige             | <input type="checkbox"/> rosso cuoio - red |
| <input type="checkbox"/> blu ultram. - marine blue |  |

**PIETRALUCE** opaco / mat

- |  |   |
|--|---|
| <input type="checkbox"/> argilla - argilla   | <input type="checkbox"/> gr. lava - lava grey |
| <input type="checkbox"/> latte - milky white | <input type="checkbox"/> carbone - carbone    |
| <input type="checkbox"/> cenere - cenere     |   |

➔➔ **4** SCELTA MISURE / MEASURES



- A = misura interasse lavabo da sinistra / left distance of basin.
- B = misura interasse lavabi / distance between basins.
- C = misura interasse lavabo da destra / right distance of basin.
- D = misura totale della mensola / total length of the shelf.
- verificare sempre che / verify that: **A + B + C = D.**