

design **ALEXANDER DURINGER** and **STEFANO ROSINI**

2004

IO4260 IO60

Recessed basin cm 60

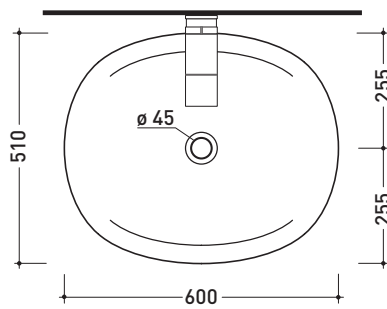
• WITHOUT OVERFLOW • WITHOUT TAP LEDGE

Complements: IO shelves (IO60M1 - IO60M2 - IO60M3)
 IO Pietraluce shelf (IO60M4)
 Bridge bench (IO60B1)
 Line taps basin: ONE - NOKÉ - SI - FOLD - X1
 Line accessories: TWO - HOOP - NOKÉ - FOLD

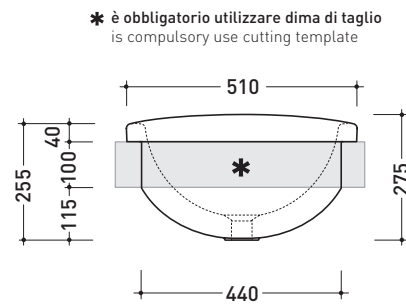
Technical accessories: Chrome space saving basin siphon (SIFL03)
 Stop & Go drain (PLSG)
 CERAMIC Stop & Go drain (PLCE)
 Chrome waste with automatic integrated overflow (PLTPCR)
 Waste with automatic integrated overflow and ceramic cover (PLTPCR)
 Two piece set chrome tap filters (RF026)

Package dim. 60 x 28 x 51,5 cm | Weight 21 kg | Pz. Pallet n° 12

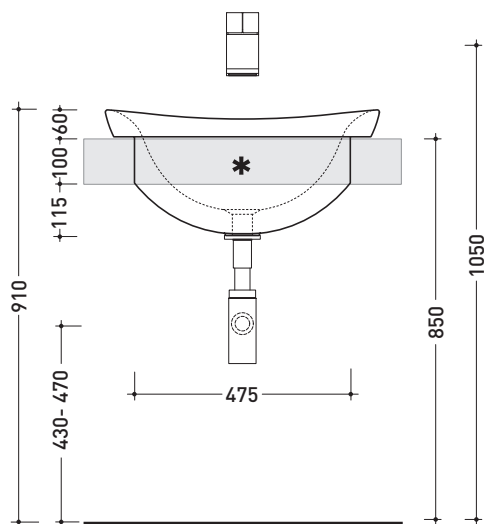
CE UNI EN 14688 - CL00 Dop-No14688



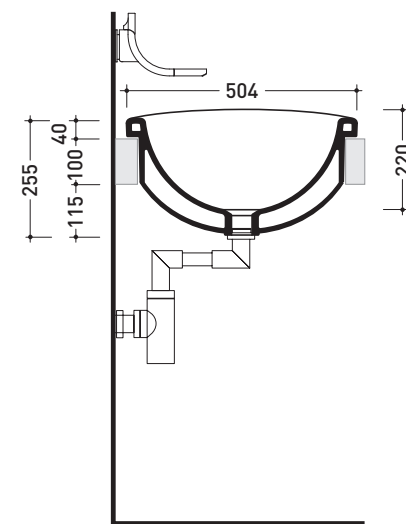
vista zenitale / zenital view



vista laterale / lateral view



vista frontale / frontal view



sezione longitudinale / section

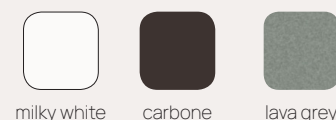
* è obbligatorio utilizzare dima di taglio
 is compulsory use cutting template

sizes in mm

CERAMIC: glossy finish



matt finish



Please consider a 2% tolerance on indicated measurements