

design **ALEXANDER DURINGER** and **STEFANO ROSINI** 2004

**IO4275 IO75**

Recessed basin cm 75

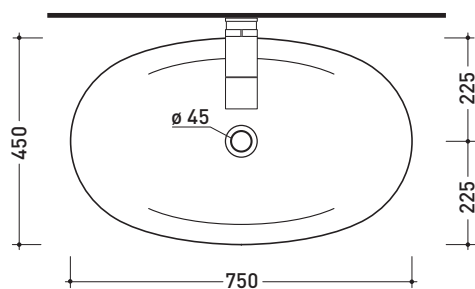
•WITHOUT OVERFLOW

- Complements: **IO shelves** (IO75M1 - IO75M2 - IO75M3)  
**IO Pietraluce shelf** (IO75M4)  
**Bridge bench** (IO75B1)  
**Line taps basin:** ONE - NOKÉ - SI - FOLD - X1  
**Line accessories:** TWO - HOOP - NOKÉ - FOLD

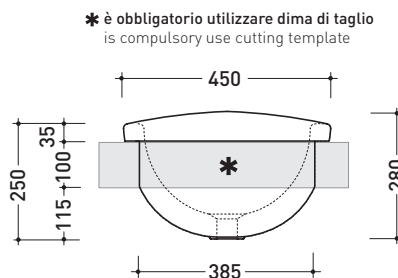
- Technical accessories: **Chrome space saving basin siphon** (SIFL03)  
**Stop & Go drain** (PLSG)  
**CERAMIC Stop & Go drain** (PLCE)  
**Two piece set chrome tap filters** (RF026)

Package dim. **75 x 28 x 46 cm** | Weight **22 kg** | Pz. Pallet n° **10**

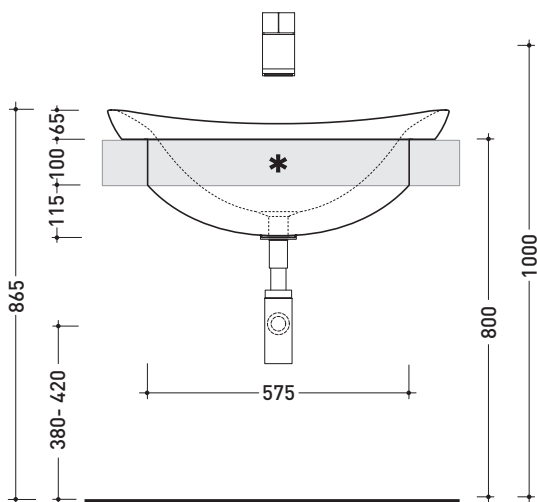
CE UNI EN 14688 - CL00 Dop-No14688



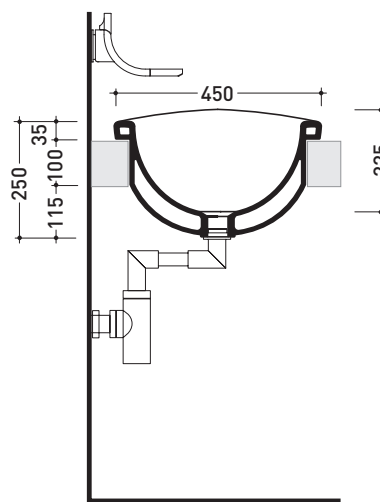
vista zenitale / zenital view



vista laterale / lateral view



vista frontale / frontal view



sezione longitudinale / section

sizes in mm

Please consider a 2% tolerance on indicated measurements

CERAMIC: glossy finish



matt finish

