

design ALEXANDER DURINGER and STEFANO ROSINI

2004

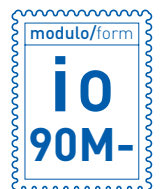
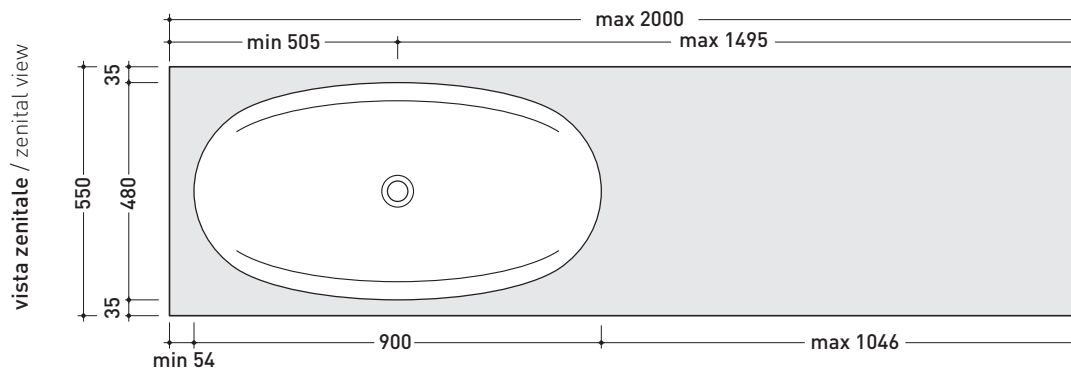
**IO90M2**Shelf 110 to 150 x 55 x h 10 cm suitable for IO90 basin  
(fixing brackets included)**IO90M3**Shelf from 150 to 200 x 55 x h 10 cm suitable for IO90 basin  
(fixing brackets included)

Complements: **IO90 recessed basin** (IO4290)  
**MAKE-UP mirrors and lamps**  
**APP - FLAG - MADRE - SIMPLE mirrors**  
**Hot/Cold mirror** (SPHC)  
**Left/Right mirror** (SPLR)  
**Line mirrors** (BASC20 - BASC30 - BASC40)

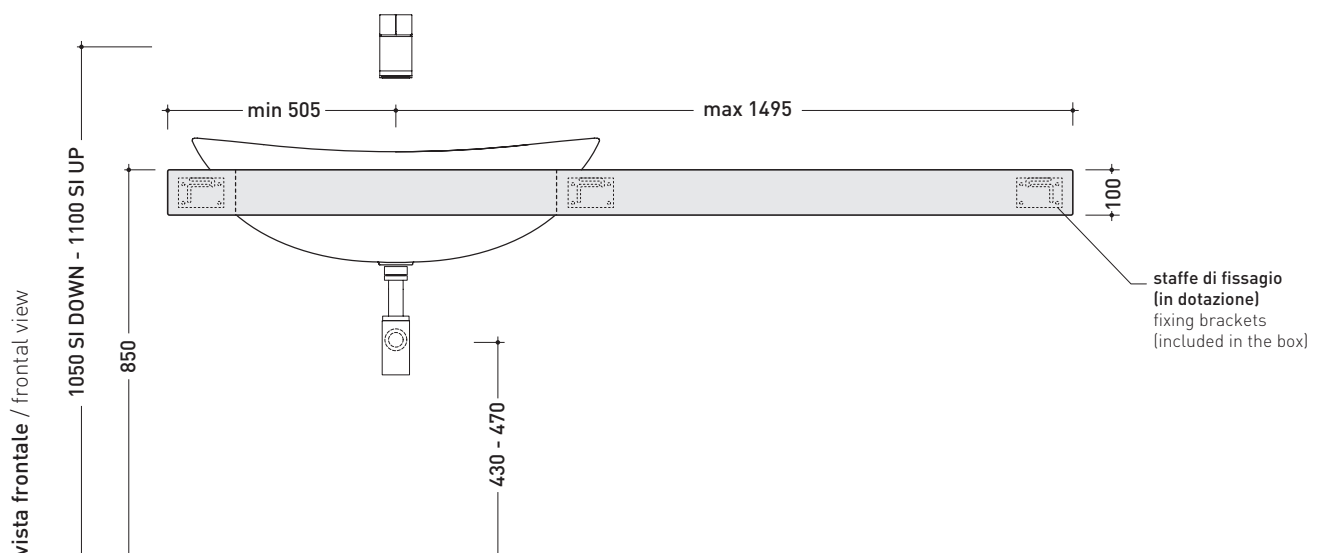
TAP HOLES ARE NOT MADE ON THIS ARTICLE BY FLAMINIA



CE



REFERENCE TO  
THE COMPULSORY  
ORDER FORM

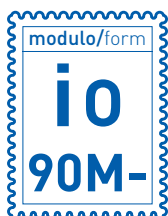


sizes in mm

WOOD: finishes



light oak    dark oak



MODULO PER LA REALIZZAZIONE DELLE MENSOLE **IO** A MISURA PER ART. **IO4290**  
**IO** CUSTOMIZED SHELVES FOR ART. **IO4290** FORM



**E' obbligatorio fotocopiare questa pagina, compilarla con cura e allegarla all'ordine.**  
 It's compulsory to photocopy this page, carefully fill in and attach to the order.

➔➔ **1** DETTAGLI ORDINE / ORDER DETAILS

cliente - client

ordine - order n: \_\_\_\_\_ data - date: \_\_\_\_\_ ref.: \_\_\_\_\_

annotazioni - notes

➔➔ **2** SCELTA ARTICOLO / ITEM CHOICE

E' importante consultare prima la scheda tecnica relativa  
 It's important to consult before the technical detail

art. **IO90M2**  
 mensola / shelf da / from 110 a / to 150 cm

art. **IO90M3**  
 mensola / shelf da / from 150 a / to 200 cm

art. **IO90M4**  
 mensola / shelf da / from 110 a / to 250 cm  
 (solo in **Pietraluce** / only in **Pietraluce**)

➔➔ **3** SCELTA MATERIALE / MATERIAL SELECTION

**PIETRALUCE**

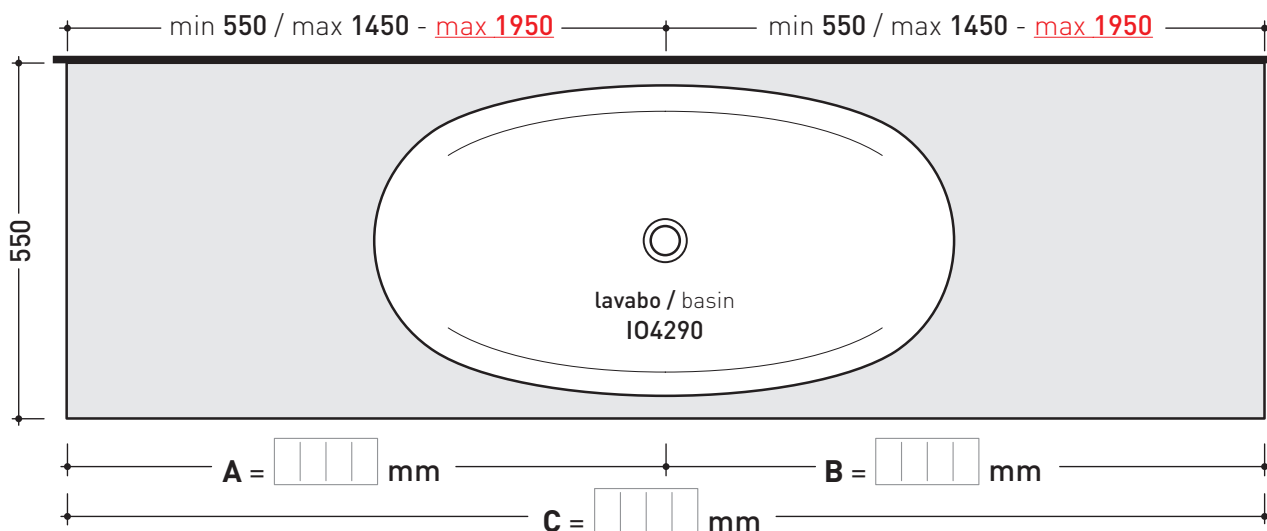
- |  |   |
|--|---|
| <input type="checkbox"/> bianco - white            | <input type="checkbox"/> nero - black         |
| <input type="checkbox"/> grigio - grey             | <input type="checkbox"/> argilla - argilla    |
| <input type="checkbox"/> beige - beige             | <input type="checkbox"/> carbone - carbone    |
| <input type="checkbox"/> sabbia - sand             | <input type="checkbox"/> latte - milky white  |
| <input type="checkbox"/> blu ultram. - marine blue | <input type="checkbox"/> gr. lava - lava grey |
| <input type="checkbox"/> rosso cuoio - red         | <input type="checkbox"/> cenere - cenere      |
| <input type="checkbox"/> sabbia - sand             |   |

**FINITURE LEGNO / WOOD FINISHES**

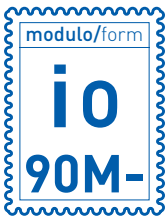
- rovere moro - dark oak     rovere sbiancato - light oak

➔➔ **4** SCELTA MISURE / MEASURES

➔ **FLAMINIA.**



• **A** = misura interasse lavabo da sinistra / left distance of basin.    • **C** = misura totale della mensola / total length of the shelf.  
 • **B** = misura interasse lavabo da destra / right distance of basin.    • verificare sempre che / verify that: **A + B = C**.



MODULO PER LA REALIZZAZIONE DELLE MENSOLE **IO** A MISURA PER DOPPIO ART. **IO4290**  
**IO CUSTOMIZED SHELVES FOR DOUBLE ART. IO4290 FORM**



**E' obbligatorio fotocopiare questa pagina, compilarla con cura e allegarla all'ordine.**  
 Is compulsory to photocopy this page, carefully fill in and attach to the order.

➔➔ **1** DETTAGLI ORDINE / ORDER DETAILS

cliente - client \_\_\_\_\_

ordine - order n: \_\_\_\_\_ data - date: \_\_\_\_\_ ref.: \_\_\_\_\_

annotazioni - notes \_\_\_\_\_

➔➔ **2** SCELTA ARTICOLO / ITEM CHOICE

E' importante consultare prima la scheda tecnica relativa  
 It's important to consult before the technical detail

- art. **IO90M4**  
 mensola / shelf da / from 220 a / to 250 cm  
 (solo in **Pietraluce** / only in **Pietraluce**)

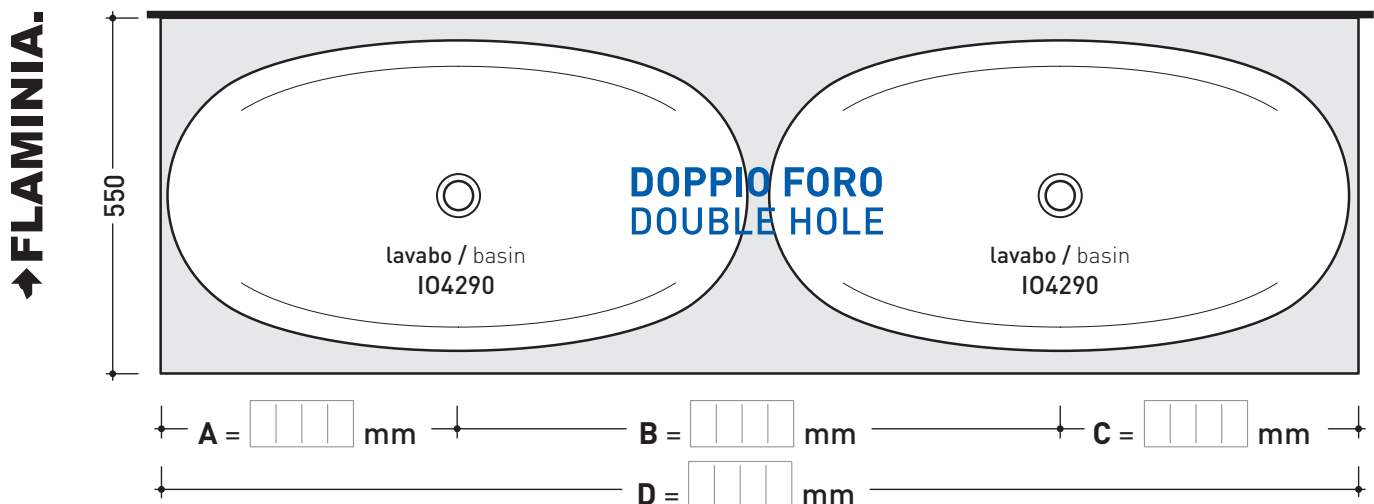
➔➔ **3** SCELTA MATERIALE / MATERIAL SELECTION

**PIETRALUCE**

- |  |   |
|--|---|
| <input type="checkbox"/> bianco - white            | <input type="checkbox"/> nero - black         |
| <input type="checkbox"/> grigio - grey             | <input type="checkbox"/> argilla - argilla    |
| <input type="checkbox"/> beige - beige             | <input type="checkbox"/> carbone - carbone    |
| <input type="checkbox"/> sabbia - sand             | <input type="checkbox"/> latte - milky white  |
| <input type="checkbox"/> blu ultram. - marine blue | <input type="checkbox"/> gr. lava - lava grey |
| <input type="checkbox"/> rosso cuoio - red         | <input type="checkbox"/> cenere - cenere      |
| <input type="checkbox"/> sabbia - sand             |   |

➔➔ **4** SCELTA MISURE / MEASURES

PIETRALUCE    min 550 / max 700    min 1100 / max 1400    min 550 / max 700



- **A** = misura interasse lavabo da sinistra / left distance of basin.
- **B** = misura interasse lavabo da destra / right distance of basin.
- **C** = misura totale del piano / total length of the shelf.
- verificare sempre che / verify that: **A + B + C = D.**