

AP118

Wall hung wc (fixing kit included art. 9008)

Complements: **Soft-closing thermosetting wrapping seat&cover** (QKCW03)
Soft-closing thermosetting wrapping seat&cover (QKCW07)
SLIM soft-closing thermosetting seat&cover (QKCW05)
SLIM soft-closing thermosetting seat&cover (QKCW09)
gocare electronic multifunction coverseat (FL7235 - FL7035R)
Line accessories: TWO - HOOP - NOKÈ - FOLD

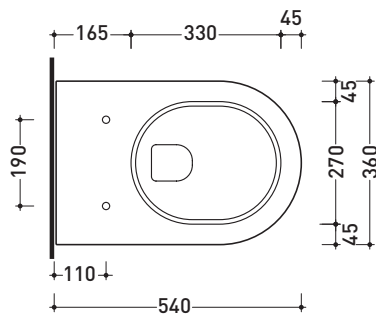
Technical accessories: **Universal fixing bracket for wall hung wc/bidet** (41/P)

Package dim. | Weight **22 kg** | Pz. Pallet n° **18**

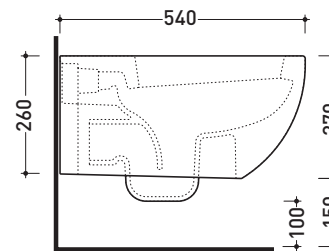


UNI EN 997

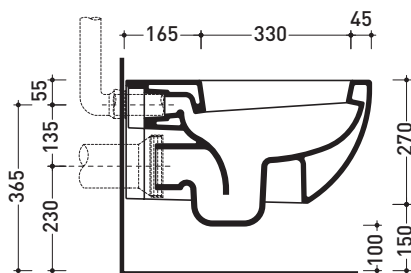
Dop-No997



vista zenitale / zenital view



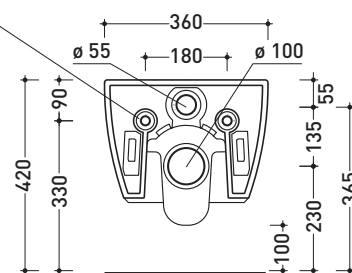
vista laterale / lateral view



sezione longitudinale / section



art. 9008
kit di fissaggio
Fischer (in dotazione)
Fischer fixing kit
(included in the box)



vista retro / back view

sizes in mm

Please consider a 2% tolerance on indicated measurements

CERAMIC: glossy finish



white

FLAMINIA does not recommend combining this toilet model with rapid-flow/flushometer systems or traditional high tanks