

# Drainage system

➔ **FLAMINIA.**

## PLFC

Drainage system with CERAMIC cover (ø 90 mm)

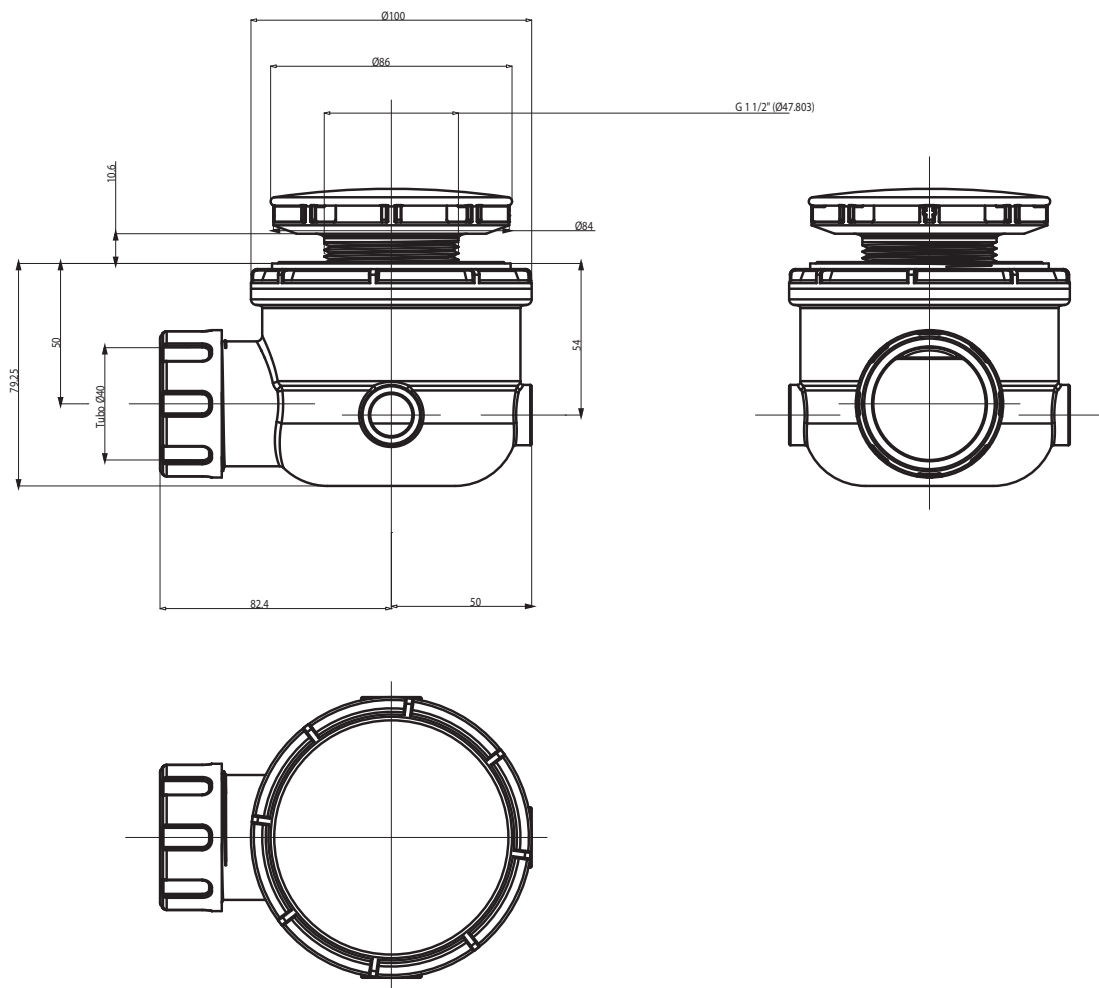
Package dim.

Weight **0,7 kg**

Pz. Pallet n° -



CE



sizes in mm

CERAMIC: glossy finish



white black

matt finish



milky white graphite antracite lava grey argilla nuvola fango rosso rubens petrolio

<http://www.ceramicaflaminia.it/en>

©ceramicaflaminiaspa - All rights reserved. Unauthorized copying, publication, reproduction as well as partial reproduction are prohibited

june 2020

