

Miniwash Fly

➔ **FLAMINIA.**

design **GIULIO CAPPELLINI**

2005

MWL40 + MWS40 Miniwash 40

Wall fixing bracket + countertop basin 40 cm

• WITHOUT OVERFLOW • WITHOUT TAP LEDGE

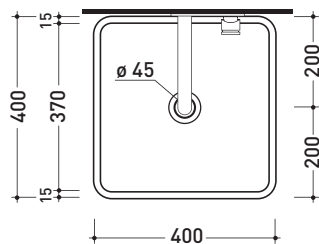
Complements: **Line taps basin:** ONE - NOKÈ - SI - X1
Line accessories: TWO - HOOP - NOKÈ - FOLD

Technical accessories: **Chrome siphon (SIFL/CR) - Telescopic chrome siphon (SIFL066)**
Stop & Go drain (PLSG)
CERAMIC Stop & Go drain (PLCE)

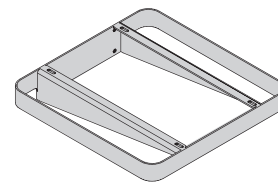
Package dim. basin: **40,5 x 14,5 x 42 cm** | Weight **11,5 kg** | Pz. Pallet n° **42**

Package dim. bracket: **42 x 18 x 44 cm** | Weight **3 kg** | Pz. Pallet n° -

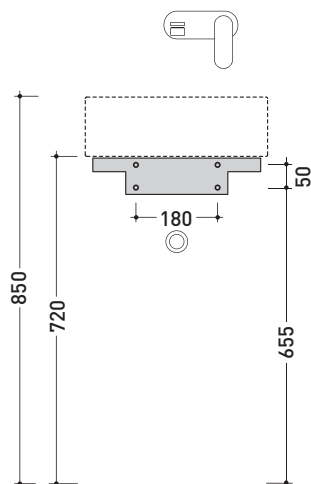
CE UNI EN 14688 - CL00 Dop-No14688



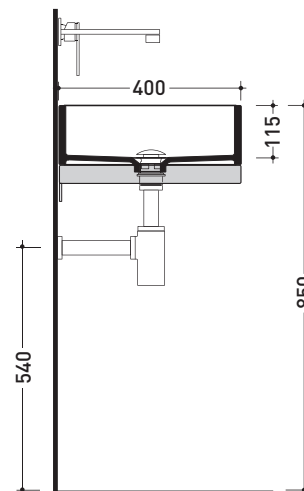
vista zenitale / zenital view



staffa di fissaggio MWS40
MWS40 fixing bracket



vista frontale fissaggio staffa
fixing bracket frontal view



sezione longitudinale / section

sizes in mm

Please consider a 2% tolerance on indicated measurements

STAINLESS STEEL: glossy finish



chrome

<http://www.ceramicaflaminia.it/en/products/300-miniwash-fly>

©ceramicaflaminiaspa - All rights reserved. Unauthorized copying, publication, reproduction as well as partial reproduction are prohibited

april 2020

