

# Miniwash Fly

➔ **FLAMINIA.**

design **GIULIO CAPPELLINI**

2005

## MWL48M + MWS48 Miniwash 48

Wall fixing bracket + countertop basin 48 cm

• WITHOUT OVERFLOW • WITHOUT TAP LEDGE

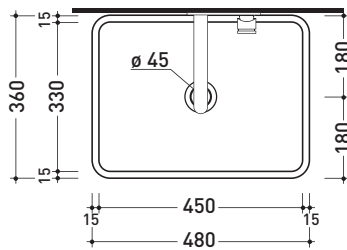
Complements: **Line taps basin: ONE - NOKÈ - SI - X1**  
**Line accessories: TWO - HOOP - NOKÈ - FOLD**

Technical accessories: **Chrome siphon (SIFL/CR) - Telescopic chrome siphon (SIFL066)**  
**Stop & Go drain (PLSG)**  
**CERAMIC Stop & Go drain (PLCE)**

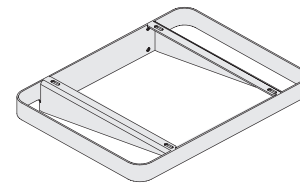
Package dim. basin | 49 x 14,5 x 37,5 cm | Weight 12,5 kg | Pz. Pallet n° 42

Package dim. bracket | 42 x 18 x 44 cm | Weight 3 kg | Pz. Pallet n° -

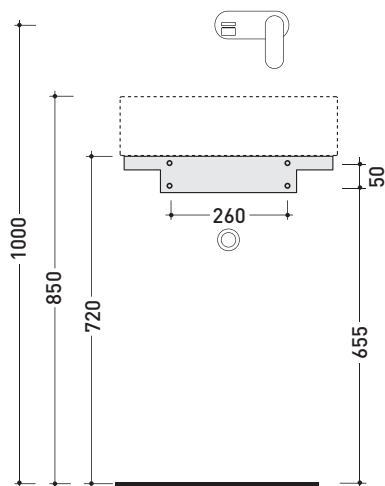
CE UNI EN 14688 - CL00 Dop-No14688



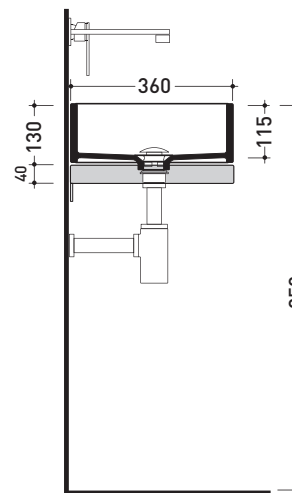
vista zenitale / zenital view



staffa di fissaggio MWS48  
MWS48 fixing bracket



vista frontale fissaggio staffa  
fixing bracket frontal view



sezione longitudinale / section

sizes in mm

Please consider a 2% tolerance on indicated measurements

**STAINLESS STEEL:** glossy finish



chrome

<http://www.ceramicaflaminia.it/en/products/300-miniwash-fly>

©ceramicaflaminiaspa - All rights reserved. Unauthorized copying, publication, reproduction as well as partial reproduction are prohibited

april 2020

