

PS65AT Pass 65

Oval countertop basin 65 cm

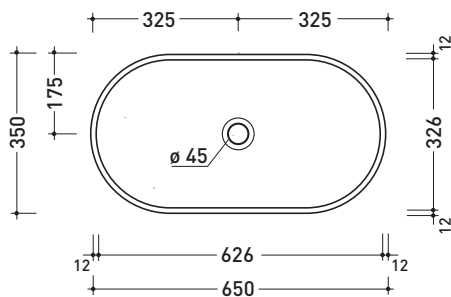
•WITHOUT OVERFLOW •WITHOUT TAP LEDGE

Complements: **Solid shelf** (SLPS65)
Forty6 shelf (F6PS65)
Furniture BOX - depth. 37
Furniture BOX - depth. 50
Filo 75 metal structure (FI75SV)
Line taps basin: ONE - NOKÉ - SI - FOLD - X1
Line accessories: TWO - HOOP - NOKÉ - FOLD

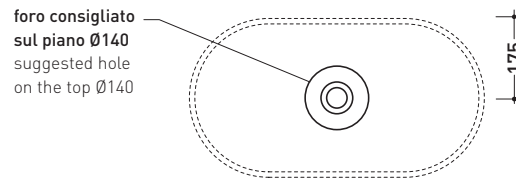
Technical accessories: **Chrome siphon** (SIFL/CR) - **Telescopic chrome siphon** (SIFL066)
Stop & Go drain (PLSG)
CERAMIC Stop & Go drain (PLCE)
Two piece set chrome tap filters (RF026)

Package dim. | Weight **11 kg** | Pz. Pallet n° **30**

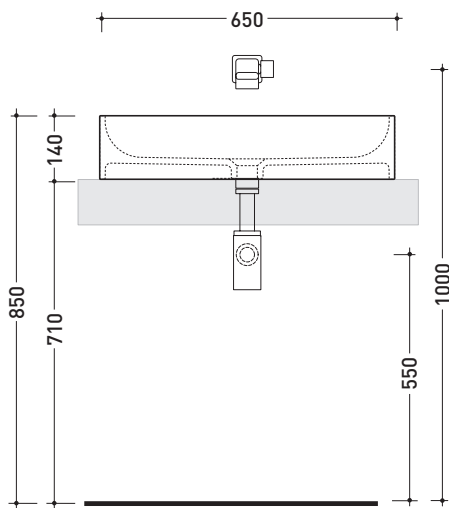
CE UNI EN 14688 - CL00 Dop-No14688



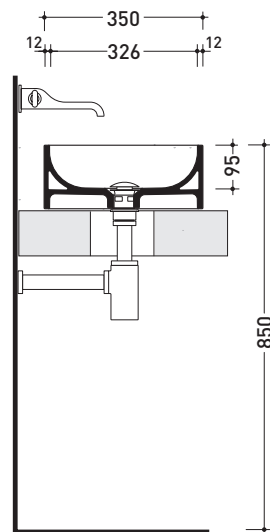
vista zenitale / zenital view



vista zenitale / zenital view



vista frontale / frontal view



sezione longitudinale / section

sizes in mm

Please consider a 2% tolerance on indicated measurements

CERAMIC: glossy finish



white