

design **L+R PALOMBA** and **SERGIO MORI**

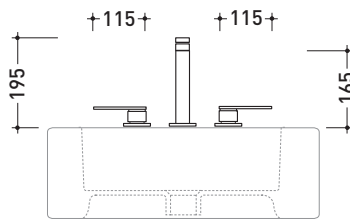
2003

113056/F

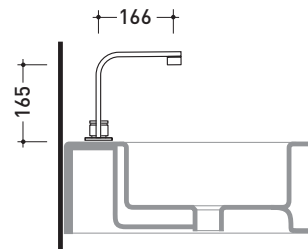
Three-holes tap basin (stop&go drain included)

Complements: Line accessories: TWO
Line accessories: HOOP

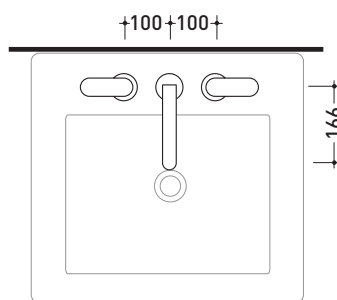
Package dim. 39 x 20 x 11 cm | Weight 3,5 kg | Pz. Pallet n° -



vista frontale / frontal view



vista laterale / lateral view



vista zenitale / zenital view

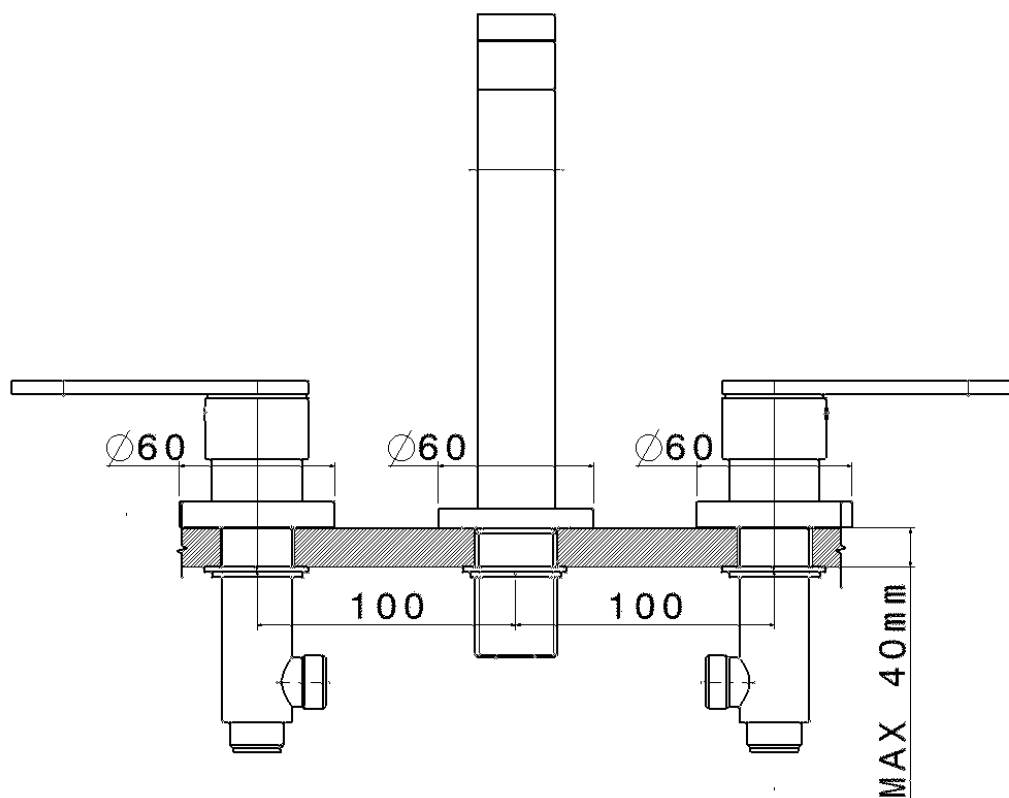
sizes in mm

BRASS: glossy finish



chrome

art. 113056/F



sizes in mm