

design **L+R PALOMBA** and **SERGIO MORI**

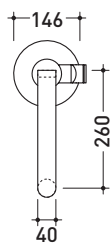
2003

113052/F

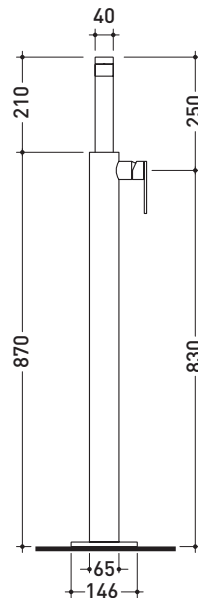
Free-standing basin mixer

Complements: Line accessories: TWO
Line accessories: HOOP

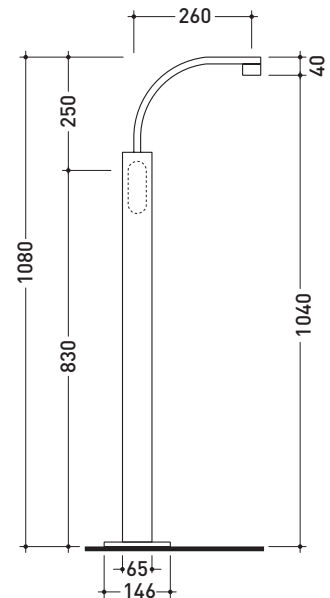
Package dim. 125 x 31 x 20 cm | Weight 11,5 kg | Pz. Pallet n° -



vista zenitale / zenital view



vista frontale / frontal view



vista laterale / lateral view

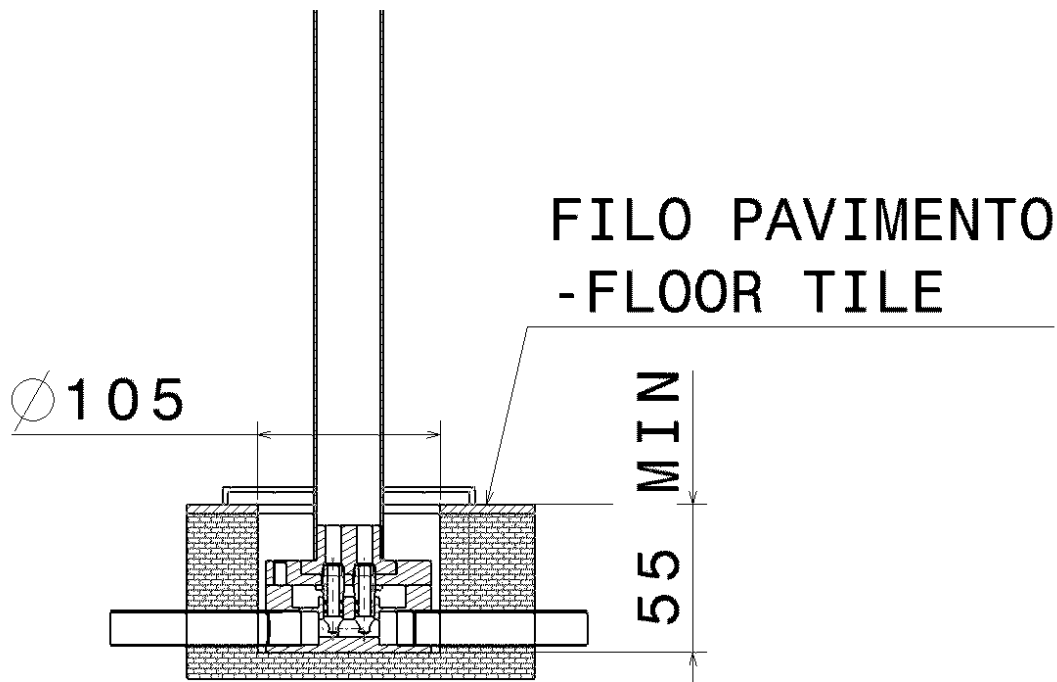
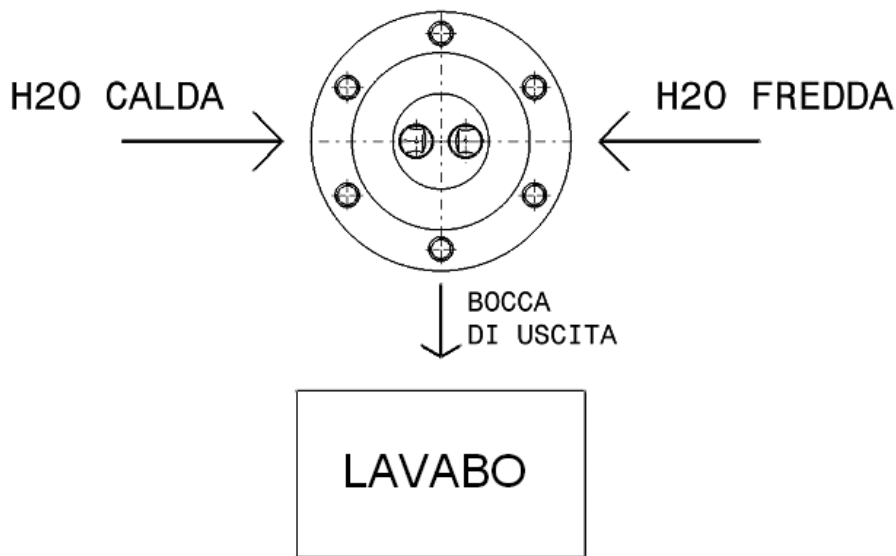
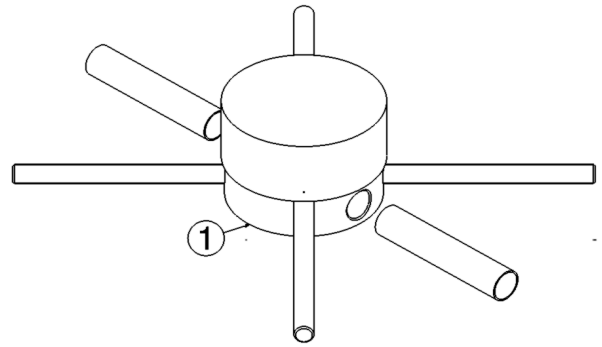
sizes in mm

BRASS: glossy finish



chrome

art. 113052/F



sizes in mm