

Water Drop

➔ **FLAMINIA.**

design **LUCA CIMARRA**

2005

DR80 Water Drop 80

Laid on or built-in in the floor shower tray 80x80 cm
(ø 90mm drainage system not included)

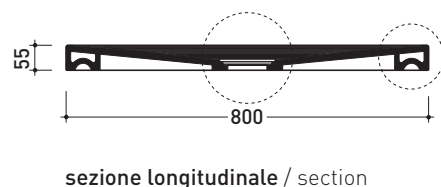
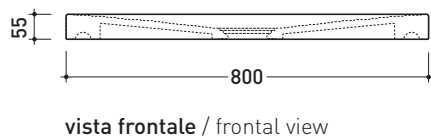
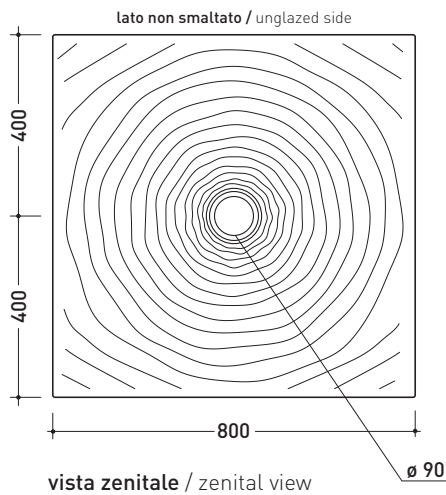
Complements: **BAMB00 composable shower box**
Line taps shower: ONE - NOKÉ - SI - FOLD - X1
Line accessories: TWO - HOOP - NOKÉ - FOLD

Technical accessories: **drainage system with CHROME cover ø 90mm (PLFR)**
drainage system with CERAMIC cover ø 90mm (PLFC)

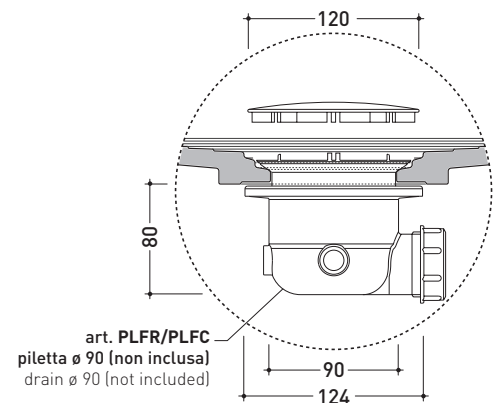
Package dim. **80,5 x 55 x 83 cm** | Weight **33 kg** | Pz. Pallet n° **10**



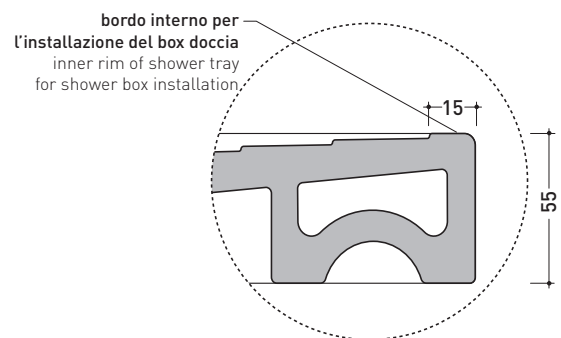
CE UNI EN 14527 Dop-No14527



PILETTA CONSIGLIATA / SUGGESTED DRAIN



Piletta sifonata / Drainage
Portata / Flow rate: **0,52 l/sec** (EN 274 > 0,4 l/sec)



dettaglio del bordo / shower tray rim detail

sizes in mm

Please consider a 2% tolerance on indicated measurements

CERAMIC: glossy finish



matt finish



<http://www.ceramicaflaminia.it/en/products/329-water-drop>

©ceramicaflaminiaspa - All rights reserved. Unauthorized copying, publication, reproduction as well as partial reproduction are prohibited

may 2019

