

2017

BX808 L 70 x P 37 x H 50

Wall hung vanity unit H50 - 2 DRAWERS

TOP NOT INCLUDED

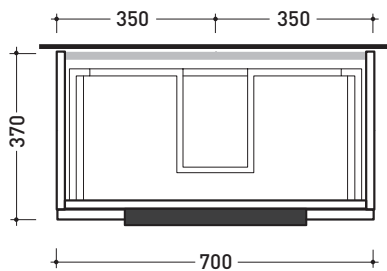
Complements: **countertop basins:**
Boll 42 (BL42L) / **Boll 56** (BL56L) / **Monò 54** (MN54L) /
NudaSlim 60 (ND60A / ND60L / ND60PR) / **NudaSlim 75** (ND75A /
 ND75L / ND75PR) / **Pass 39** (PS39LM) / **Pass 60** (PS60A) / **Pass 62**
 (PS62C) / **Pass 65** (PS65AT) / **Saltodacqua** (SD42L) / **Void 44** (VD44L)
Mirrors line: SIMPLE, MAKE-UP, APP

Technical accessories: **Chrome siphon** (SIFL/CR)
Telescopic chrome siphon (SIFL066)

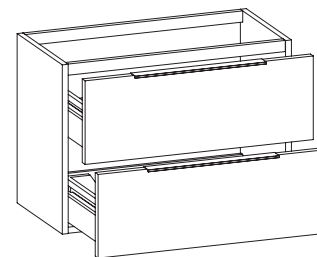
Package dim. | Weight **17,6 kg** | Pz. Pallet n° -



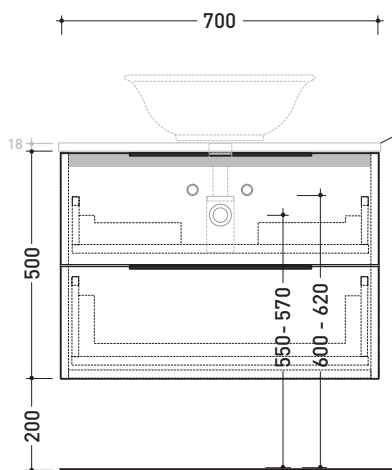
CE



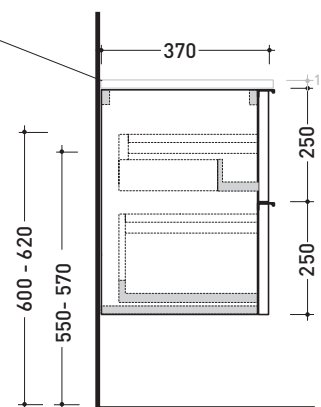
vista zenitale / zenital view



assonometria / axonometry



vista frontale / frontal view



sezione longitudinale / section

sizes in mm

WOOD: finish



OK Arly



OJ Bianco



OJ Grigio



OJ Canapa

2017

BX814 L 85 x P 37 x H 50

Wall hung vanity unit H50 - 2 DRAWERS

TOP NOT INCLUDED

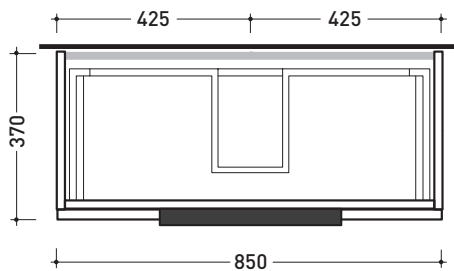
Complements: **countertop basins:**
Boll 42 (BL42L) / **Boll 56** (BL56L) / **Monò 54** (MN54L) /
NudaSlim 60 (ND60A / ND60L / ND60PR) / **NudaSlim 75** (ND75A /
 ND75L / ND75PR) / **Pass 39** (PS39LM) / **Pass 60** (PS60A) / **Pass 62**
 (PS62C) / **Pass 65** (PS65AT) / **Saltodacqua** (SD42L) / **Void 44** (VD44L)
Mirrors line: SIMPLE, MAKE-UP, APP

Technical accessories: **Chrome siphon** (SIFL/CR)
Telescopic chrome siphon (SIFL066)

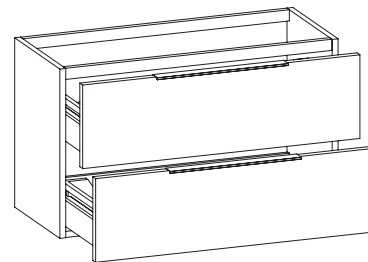
Package dim. | Weight **23,4 kg** | Pz. Pallet n° -



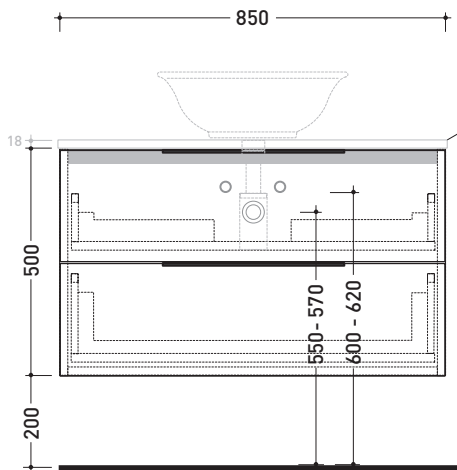
CE



vista zenitale / zenital view

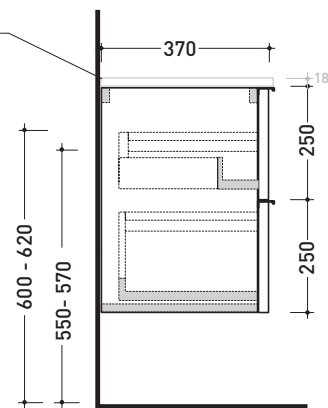


assonometria / axonometry



vista frontale / frontal view

TOP ESCLUSO
TOP NOT INCLUDED



sezione longitudinale / section

sizes in mm

WOOD: finish



OK Arly



OJ Bianco



OJ Grigio



OJ Canapa

2017

BX826 L 95 x P 37 x H 50

Wall hung vanity unit H50 - 2 DRAWERS

TOP NOT INCLUDED

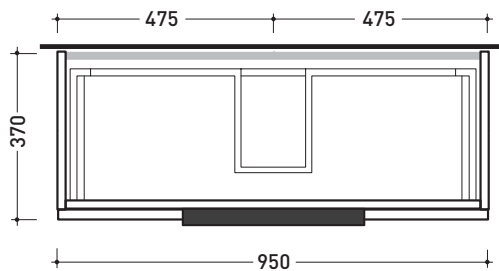
Complements: **countertop basins:**
Boll 42 (BL42L) / **Boll 56** (BL56L) / **Monò 54** (MN54L) /
NudaSlim 60 (ND60A / ND60L / ND60PR) / **NudaSlim 75** (ND75A /
 ND75L / ND75PR) / **Pass 39** (PS39LM) / **Pass 60** (PS60A) / **Pass 62**
 (PS62C) / **Pass 65** (PS65AT) / **Saltodacqua** (SD42L) / **Void 44** (VD44L)
Mirrors line: SIMPLE, MAKE-UP, APP

Technical accessories: **Chrome siphon** (SIFL/CR)
Telescopic chrome siphon (SIFL066)

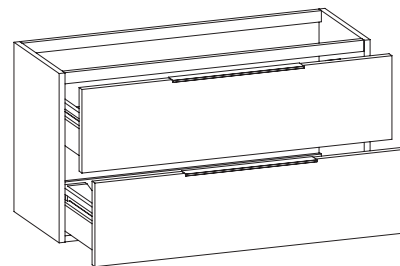
Package dim. | Weight **25,2 kg** | Pz. Pallet n° -



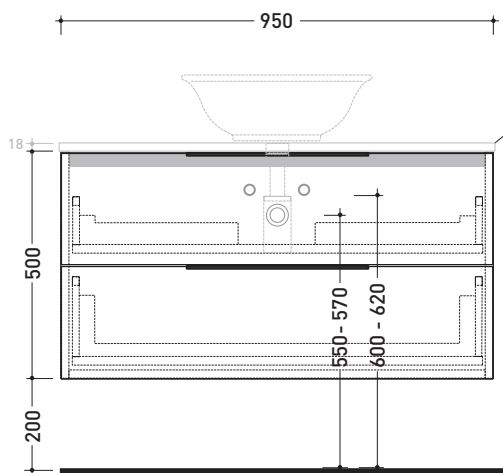
CE



vista zenitale / zenital view

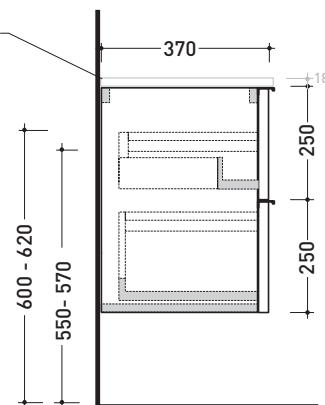


assonometria / axonometry



vista frontale / frontal view

TOP ESCLUSO
TOP NOT INCLUDED



sezione longitudinale / section

sizes in mm

WOOD: finish



OK Arly



OJ Bianco



OJ Grigio



OJ Canapa

2017

BX838 L 105 x P 37 x H 50

Wall hung vanity unit H50 - 2 DRAWERS

TOP NOT INCLUDED

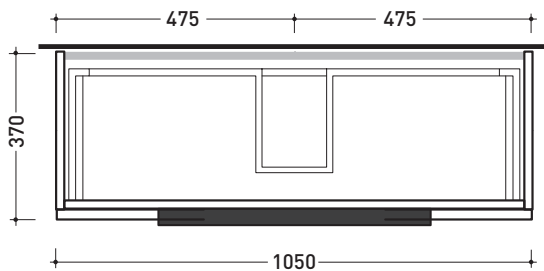
Complements: **countertop basins:**
Boll 42 (BL42L) / **Boll 56** (BL56L) / **Monò 54** (MN54L) /
NudaSlim 60 (ND60A / ND60L / ND60PR) / **NudaSlim 75** (ND75A /
 ND75L / ND75PR) / **Pass 39** (PS39LM) / **Pass 60** (PS60A) / **Pass 62**
 (PS62C) / **Pass 65** (PS65AT) / **Saltodacqua** (SD42L) / **Void 44** (VD44L)
Mirrors line: SIMPLE, MAKE-UP, APP

Technical accessories: **Chrome siphon** (SIFL/CR)
Telescopic chrome siphon (SIFL066)

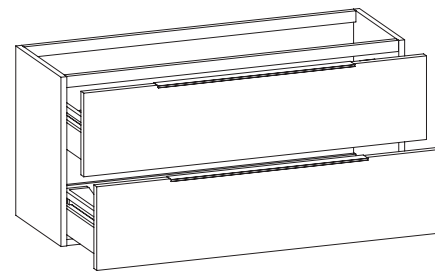
Package dim. | Weight **26,3 kg** | Pz. Pallet n° -



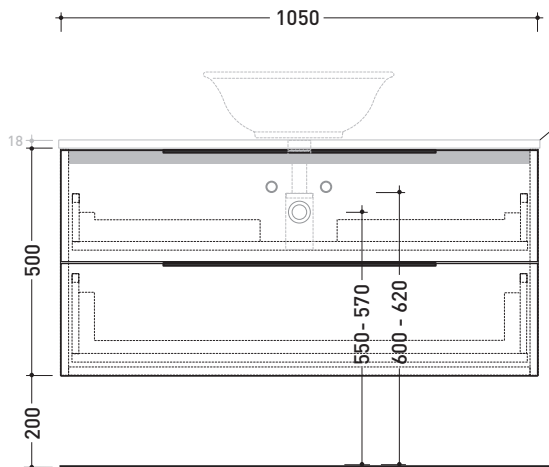
CE



vista zenitale / zenital view

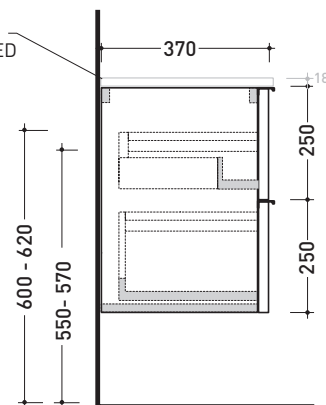


assonometria / axonometry



vista frontale / frontal view

TOP ESCLUSO
TOP NOT INCLUDED



sezione longitudinale / section

sizes in mm

WOOD: finish



OK Arly



OJ Bianco



OJ Grigio



OJ Canapa

2017

BX948 L 120 x P 37 x H 50

Wall hung vanity unit H50 - 2 DRAWERS

TOP NOT INCLUDED

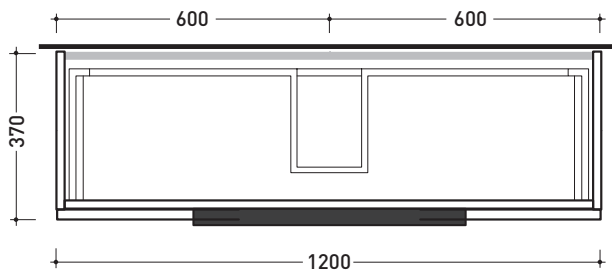
Complements: **countertop basins:**
Boll 42 (BL42L) / **Boll 56** (BL56L) / **Monò 54** (MN54L) /
NudaSlim 60 (ND60A / ND60L / ND60PR) / **NudaSlim 75** (ND75A /
 ND75L / ND75PR) / **Pass 39** (PS39LM) / **Pass 60** (PS60A) / **Pass 62**
 (PS62C) / **Pass 65** (PS65AT) / **Saltodacqua** (SD42L) / **Void 44** (VD44L)
Mirrors line: SIMPLE, MAKE-UP, APP

Technical accessories: **Chrome siphon** (SIFL/CR)
Telescopic chrome siphon (SIFL066)

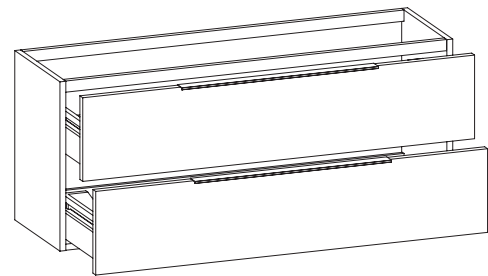
Package dim. | Weight **29,3 kg** | Pz. Pallet n° -



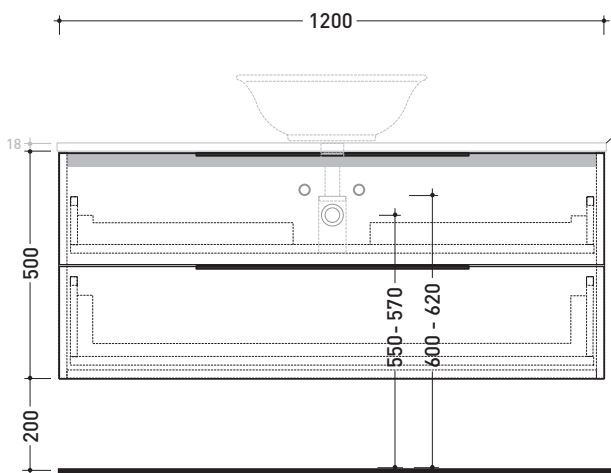
CE



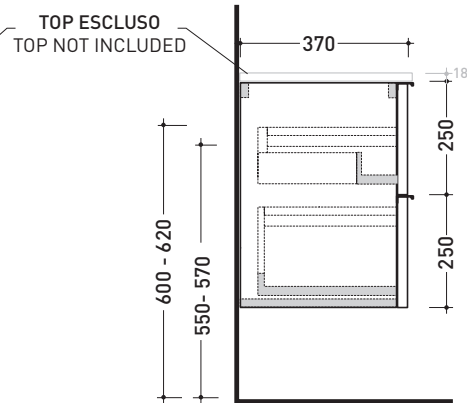
vista zenitale / zenital view



assonometria / axonometry



vista frontale / frontal view



sezione longitudinale / section

sizes in mm

WOOD: finish



OK Arly



OJ Bianco



OJ Grigio



OJ Canapa

COMPATIBLE COUNTERTOP BASINS

VANITY UNIT DEPTH: **CM 37**

Boll 42 art. **BL42L**

Boll 56 art. **BL56L**

Monò 54 art. **MN54L**

NudaSlim 60 art. **ND60A**

NudaSlim 60 art. **ND60L**

NudaSlim 60 art. **ND60PR**

NudaSlim 75 art. **ND75A**

NudaSlim 75 art. **ND75L**

NudaSlim 75 art. **ND75PR**

Pass 39 art. **PS39LM**

Pass 60 art. **PS60A**

Pass 65 art. **PS65AT**

Pass 62 art. **PS62C**

Saltodacqua art. **SD42L**

Void 44 art. **VD44L**

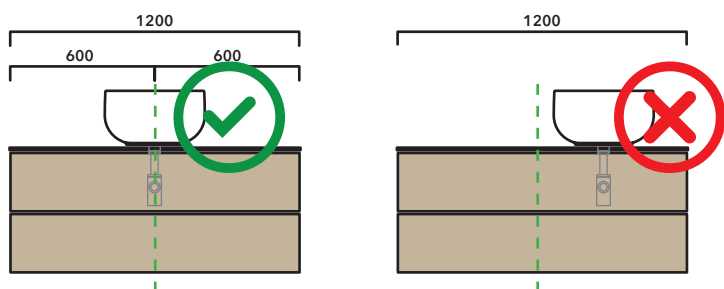
INDICATIONS FOR THE REALIZATION OF COMPOSITIONS

Taking care to the difference between **VANITY** or **WALL HUNG UNITS**:

- The drawer and the back of **VANITY UNIT** are cutted to permit the siphon installation.
- **WALL HUNG UNIT** are completely closed.

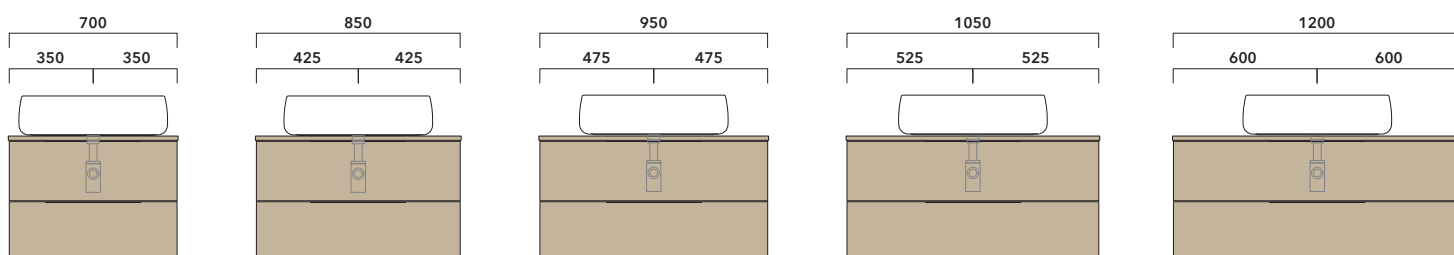
WARNING:

THE BASIN IS ALWAYS IN THE CENTRE OF THE WALL HUNG VANITY UNIT



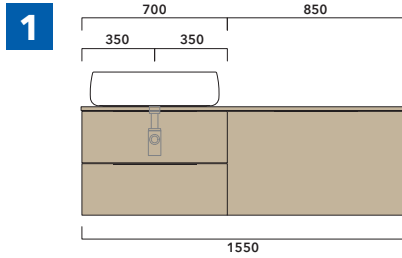
WARNING:

TOP IS NOT INCLUDED

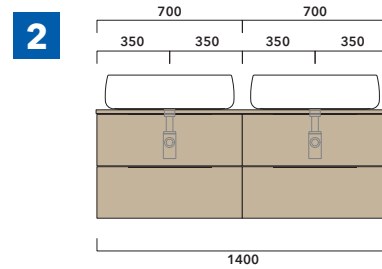


Vanity units are suitable for **COUNTERTOP BASIN** only (NOT for recessed, semi-inset or undercounter ones).

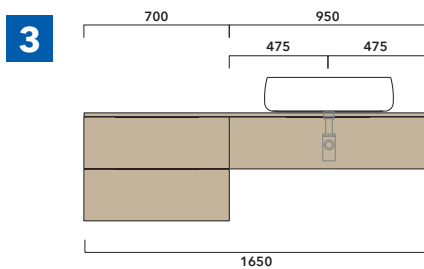
EXAMPLES OF COMPOSITIONS



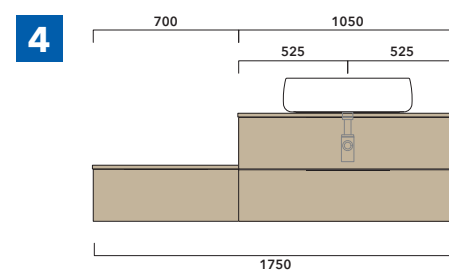
1 | depth cm 37:
n.1 **BX808** + n.1 **BX426** + **BXPR38** cm 155



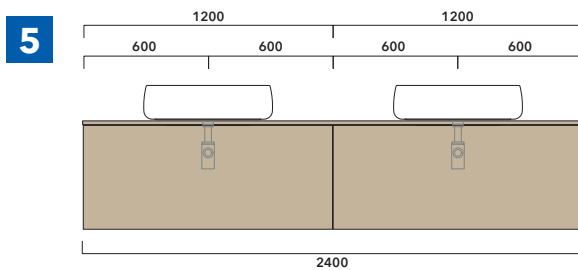
2 | depth cm 37:
n.2 **BX808** + **BXPR38** cm 140



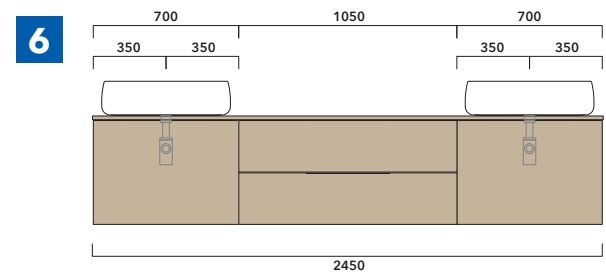
3 | depth cm 37:
n.1 **BX424** + n. 1 **BX994** + **BXPR38** cm 165



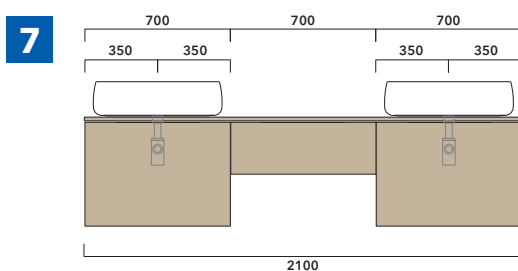
4 | depth cm 37:
n.1 **BX296** + n. 1 **BX838** + **BXPR38** cm 70 +
BXPR38 cm 105



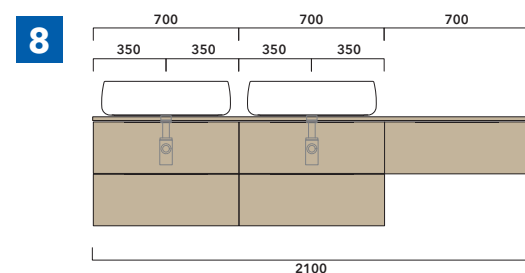
5 | depth cm 37:
n.2 **BX944** + **BXPR38** cm 240



6 | depth cm 37:
n.2 **BX804** + n.1 **BX436** + **BXPR38** cm 245



7 | depth cm 37:
n.2 **BX804** + n. 1 **BX296** + **BXPR38** cm 210



8 | depth cm 37:
n.2 **BX808** + n. 1 **BX296** + **BXPR38** cm 210

➔ **FLAMINIA.** MODULO PER LA REALIZZAZIONE DELLE COMPOSIZIONI MOBILI **BOX**
CUSTOMIZED COMPOSITION FORM FOR **BOX** UNITS



E' obbligatorio fotocopiare questa pagina, compilarla con cura e allegarla all'ordine.
It is compulsory to photocopy this page, carefully fill in and attach to the order.

➔➔ **1** DETTAGLI ORDINE / ORDER DETAILS

ordinante - buyer _____ cliente - client _____

ordine - order n: _____ data - date: _____ ref.: _____

annotazioni - notes _____

➔➔ **2** PROFONDITÀ MOBILE / UNIT DEPTH É importante consultare il listino prezzi / It's important to consult price list

CM 37

CM 50

➔➔ **3** DISEGNO / DRAWING



➔➔ **4** ELENCO ARTICOLI / ARTICLE LIST É importante consultare il listino prezzi / It's important to consult price list

art. _____ dim. _____ art. _____ dim. _____

art. _____ dim. _____ art. _____ dim. _____

art. _____ dim. _____ art. _____ dim. _____

➔➔ **5** LAVABO DA APPOGGIO / COUTERTOP BASIN

FLAMINIA lavabo/basin art. _____

NO FLAMINIA lavabo/basin
(allegare scheda tecnica / enclose a technical drawing)

➔➔ **6** SCELTA FINITURA / FINISH SELECTION

OK ARLY

OJ BIANCO

OJ GRIGIO

OJ CANAPA