

2017

## BX991 L 70 x P 50 x H 25

Wall hung vanity unit H25 - 1 DRAWER

**TOP NOT INCLUDED**

Complements: **countertop basins:**

**Acqualight** (5058) / **Boll** (BL42L - BL56L) / **Bonola** (BN46A - BN50A - BN60A) / **Como 51** (CM51A) / **Dip 62** (DP481 - DP482) / **Doppio Zero** (DZ46L) / **Fonte 50** (FN50L) / **Fonte Tonda** (FT52L) / **Monò** (MN64L - MN74L - MN100L) / **Miniwash 40** (MWL40) / **Miniwash 48** (MWL48) / **Miniwash 60** (MWL60 - MW60PR) / **Miniwash 75** (MWL75 - MW75PR) / **Nile** (NL40A - NL62A - NL62H20) / **Nuda** (5083 - 5080 - 5081 - 5082) / **NudaSlim** (ND60A - ND75A) / **Pass** (PS50L - PS62L - PS72L - PS62C - PS65AT) / **Roll** (RL44L - RL56L) / **Saltodacqua** (SD42L) / **Step** (SE412) / **Void 60** (VD60L) / **Volo** (VL52L - VL66L)

**Mirrors line:** SIMPLE, MAKE-UP, APP

Technical accessories:

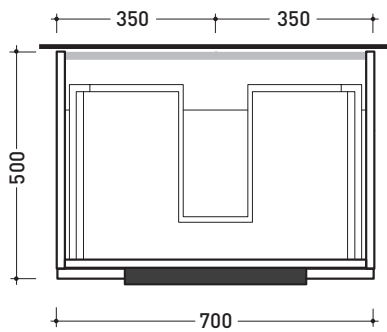
**Chrome space saving basin siphon**

Package dim.

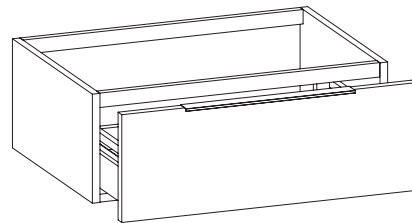
Weight **17,3 kg**

Pz. Pallet n° -

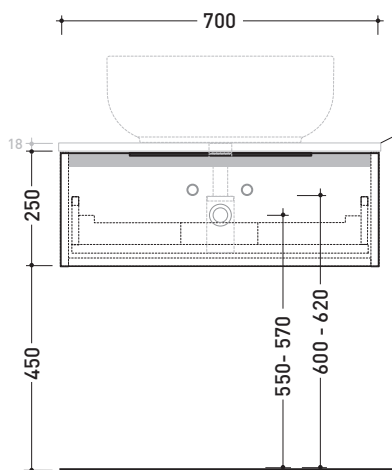
CE



vista zenitale / zenital view

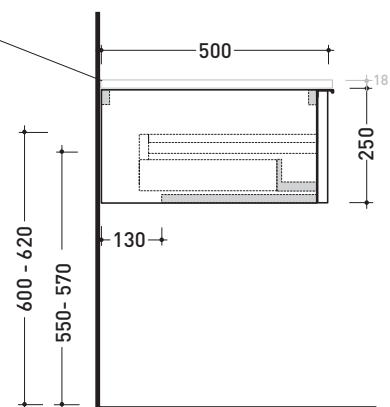


assonometria / axonometry



vista frontale / frontal view

TOP ESCLUSO  
TOP NOT INCLUDED



sezione longitudinale / section

sizes in mm

**WOOD:** finish



OK Arly



OJ Bianco



OJ Grigio



OJ Canapa

2017

## BX993 L 85 x P 50 x H 25

Wall hung vanity unit H25 - 1 DRAWER

**TOP NOT INCLUDED**

Complements: **countertop basins:**

**Acqualight** (5058) / **Boll** (BL42L - BL56L) / **Bonola** (BN46A - BN50A - BN60A) / **Como 51** (CM51A) / **Dip 62** (DP481 - DP482) / **Doppio Zero** (DZ46L) / **Fonte 50** (FN50L) / **Fonte Tonda** (FT52L) / **Monò** (MN64L - MN74L - MN100L) / **Miniwash 40** (MWL40) / **Miniwash 48** (MWL48) / **Miniwash 60** (MWL60 - MW60PR) / **Miniwash 75** (MWL75 - MW75PR) / **Nile** (NL40A - NL62A - NL62H20) / **Nuda** (5083 - 5080 - 5081 - 5082) / **NudaSlim** (ND60A - ND75A) / **Pass** (PS50L - PS62L - PS72L - PS62C - PS65AT) / **Roll** (RL44L - RL56L) / **Saltodacqua** (SD42L) / **Step** (SE412) / **Void 60** (VD60L) / **Volo** (VL52L - VL66L)

**Mirrors line:** SIMPLE, MAKE-UP, APP

Technical accessories:

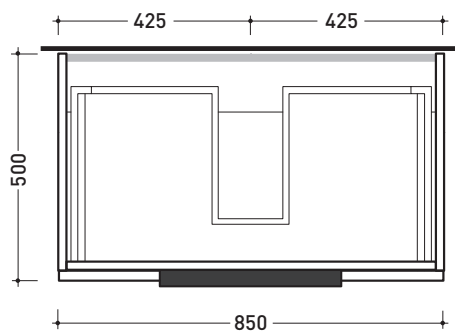
**Chrome space saving basin siphon**

Package dim.

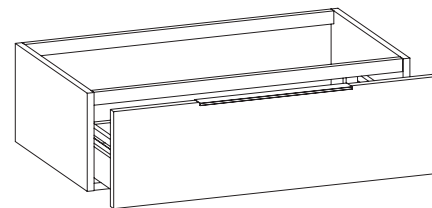
Weight **18,5 kg**

Pz. Pallet n° -

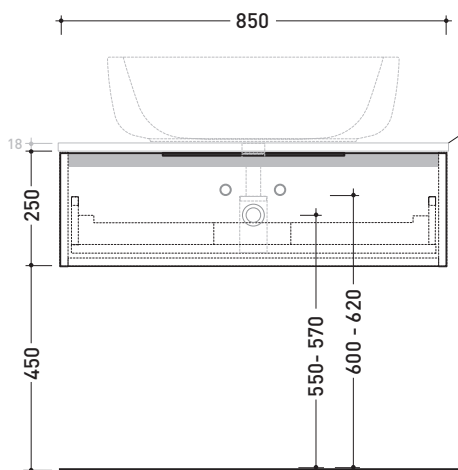
CE



vista zenitale / zenital view

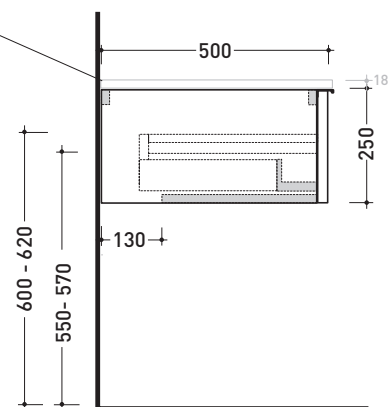


assonometria / axonometry



vista frontale / frontal view

TOP ESCLUSO  
TOP NOT INCLUDED



sezione longitudinale / section

sizes in mm

**WOOD:** finish



OK Arly



OJ Bianco



OJ Grigio



OJ Canapa

<http://www.ceramicaflaminia.it/en/products/342-box>

©ceramicaflaminiaspa - All rights reserved. Unauthorized copying, publication, reproduction as well as partial reproduction are prohibited

may 2019



2017

## BX995 L 95 x P 50 x H 25

Wall hung vanity unit H25 - 1 DRAWER

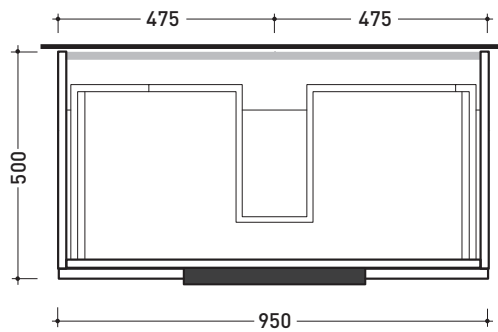
**TOP NOT INCLUDED**

Complements: **countertop basins:**  
**Acqualight** (5058) / **Boll** (BL42L - BL56L) / **Bonola** (BN46A - BN50A - BN60A) / **Como 51** (CM51A) / **Dip 62** (DP481 - DP482) / **Doppio Zero** (DZ46L) / **Fonte 50** (FN50L) / **Fonte Tonda** (FT52L) / **Monò** (MN64L - MN74L - MN100L) / **Miniwash 40** (MWL40) / **Miniwash 48** (MWL48) / **Miniwash 60** (MWL60 - MW60PR) / **Miniwash 75** (MWL75 - MW75PR) / **Nile** (NL40A - NL62A - NL62H20) / **Nuda** (5083 - 5080 - 5081 - 5082) / **NudaSlim** (ND60A - ND75A) / **Pass** (PS50L - PS62L - PS72L - PS62C - PS65AT) / **Roll** (RL44L - RL56L) / **Saltodacqua** (SD42L) / **Step** (SE412) / **Void 60** (VD60L) / **Volo** (VL52L - VL66L)  
**Mirrors line:** SIMPLE, MAKE-UP, APP

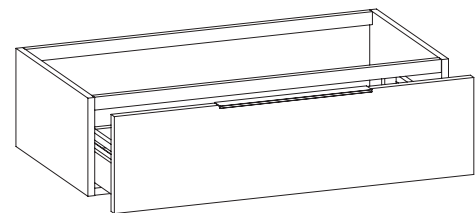
Technical accessories: **Chrome space saving basin siphon**

Package dim. | Weight **21 kg** | Pz. Pallet n° -

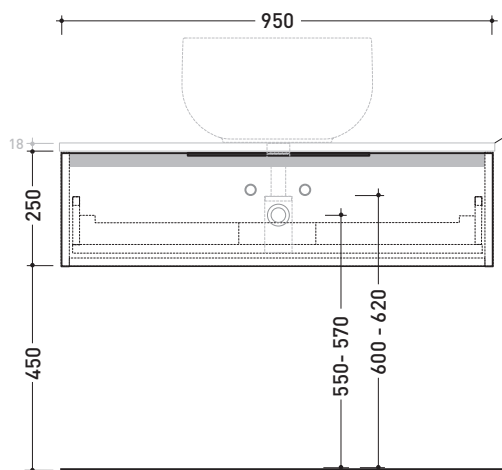
CE



vista zenitale / zenital view

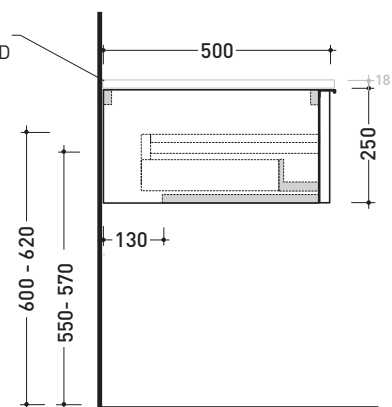


assonometria / axonometry



vista frontale / frontal view

TOP ESCLUSO  
TOP NOT INCLUDED



sezione longitudinale / section

sizes in mm

**WOOD:** finish



OK Arly



OJ Bianco



OJ Grigio



OJ Canapa

<http://www.ceramicaflaminia.it/en/products/342-box>

©ceramicaflaminiaspa - All rights reserved. Unauthorized copying, publication, reproduction as well as partial reproduction are prohibited

may 2019



2017

## BX969 L 105 x P 50 x H 25

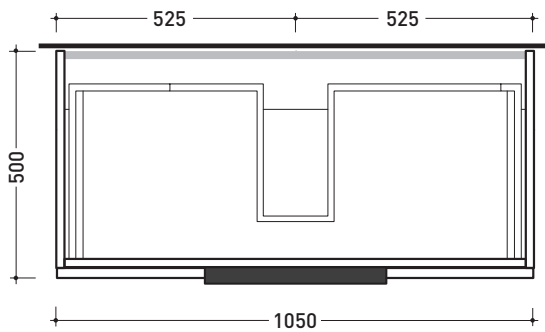
Wall hung vanity unit H25 - 1 DRAWER

**TOP NOT INCLUDED**

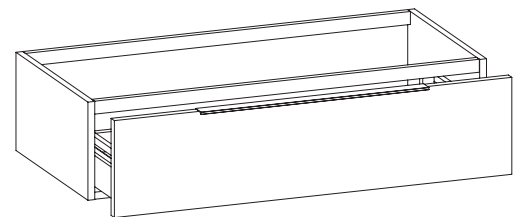
Complements: **countertop basins:**  
**Acqualight** (5058) / **Boll** (BL42L - BL56L) / **Bonola** (BN46A - BN50A - BN60A) / **Como 51** (CM51A) / **Dip 62** (DP481 - DP482) / **Doppio Zero** (DZ46L) / **Fonte 50** (FN50L) / **Fonte Tonda** (FT52L) / **Monò** (MN64L - MN74L - MN100L) / **Miniwash 40** (MWL40) / **Miniwash 48** (MWL48) / **Miniwash 60** (MWL60 - MW60PR) / **Miniwash 75** (MWL75 - MW75PR) / **Nile** (NL40A - NL62A - NL62H20) / **Nuda** (5083 - 5080 - 5081 - 5082) / **NudaSlim** (ND60A - ND75A) / **Pass** (PS50L - PS62L - PS72L - PS62C - PS65AT) / **Roll** (RL44L - RL56L) / **Saltodacqua** (SD42L) / **Step** (SE412) / **Void 60** (VD60L) / **Volo** (VL52L - VL66L)  
**Mirrors line:** SIMPLE, MAKE-UP, APP

Technical accessories: **Chrome space saving basin siphon**

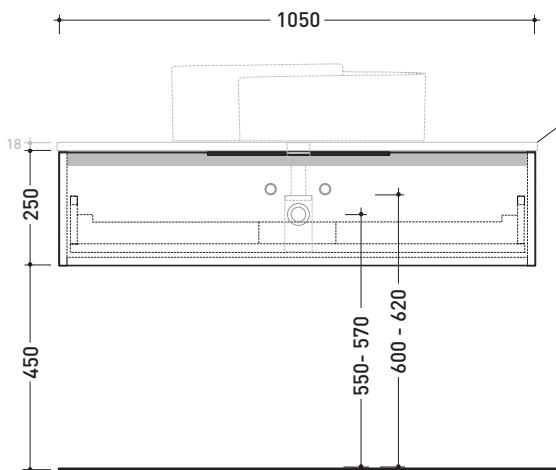
Package dim. | Weight **25,4 kg** | Pz. Pallet n° -



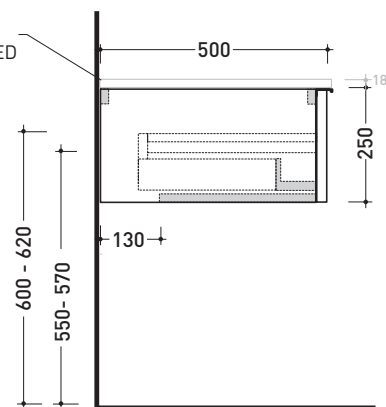
vista zenitale / zenital view



assonometria / axonometry



vista frontale / frontal view



sezione longitudinale / section

sizes in mm

**WOOD:** finish



OK Arly



OJ Bianco



OJ Grigio



OJ Canapa

## COMPATIBLE COUNTERTOP BASINS

### VANITY UNIT DEPTH: CM 50

Acqualigth art. **5058**

Boll 42 art. **BL42L**

Boll 56 art. **BL56L**

Bonola 46 art. **BN46A**

Bonola 50 art. **BN50A**

Bonola 60 art. **BN60A**

Como 51 art. **CM51A**

Dip 62 art. **DP481**

Dip 62 art. **DP482**

DoppioZero art. **DZ46L**

Fonte 50 art. **FN50L**

Fonte Tonda art. **FT52L**

Monò 64 art. **MN64L**

Monò 74 art. **MN74L**

Monò 100 art. **MN100L**

Miniwash 40 art. **MWL40**

Miniwash 48 art. **MWL48**

Miniwash 60 art. **MWL60**

Miniwash 60 art. **MW60PR**

Miniwash 75 art. **MWL75**

Miniwash 75 art. **MW75PR**

Nile 40 art. **NL40A**

Nile 62 art. **NL62A**

Nile 62 art. **NL62H20**

Nuda 60 art. **5083**

NudaSlim 60 art. **ND60A**

NudaSlim 75 art. **ND75A**

Nuda 85 art. **5080**

Nuda 85 art. **5081**

Nuda 95 art. **5082**

Pass 50 art. **PS50L**

Pass 62 art. **PS62C**

Pass 62 art. **PS62L**

Pass 65 art. **PS65AT**

Pass 72 art. **PS72L**

Roll 44 art. **RL44L**

Roll 56 art. **RL56L**

Saltodacqua art. **SD42L**

Step art. **SE412**

Void 60 art. **VD60L**

Volo 52 art. **VL52L**

Volo 66 art. **VL66L**

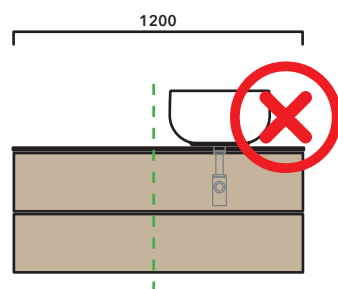
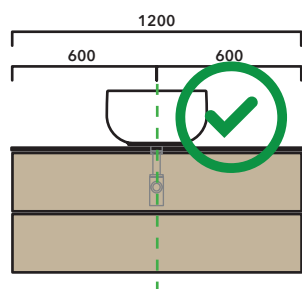
## INDICATIONS FOR THE REALIZATION OF COMPOSITIONS

Taking care to the difference between **VANITY** or **WALL HUNG UNITS**:

- The drawer and the back of **VANITY UNIT** are cutted to permit the siphon installation.
- **WALL HUNG UNIT** are completely closed.

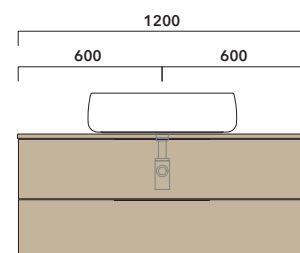
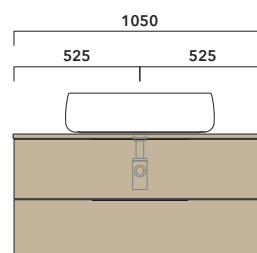
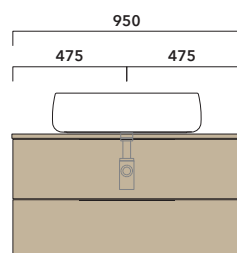
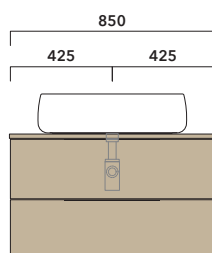
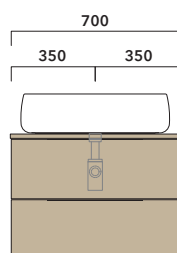
### WARNING:

**THE BASIN IS ALWAYS IN THE CENTRE OF THE WALL HUNG VANITY UNIT**



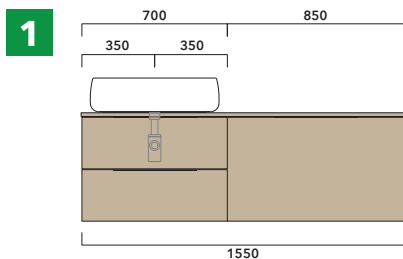
### WARNING:

**TOP IS NOT INCLUDED**

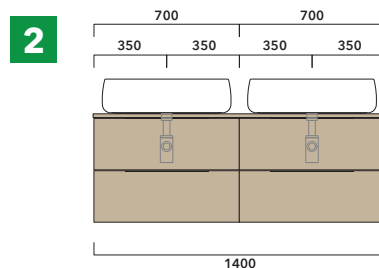


Vanity units are suitable for **COUNTERTOP BASIN** only (NOT for recessed, semi-inset or undercounter ones).

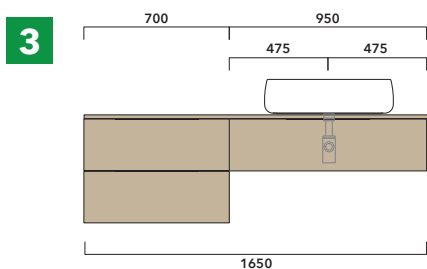
## EXAMPLES OF COMPOSITIONS



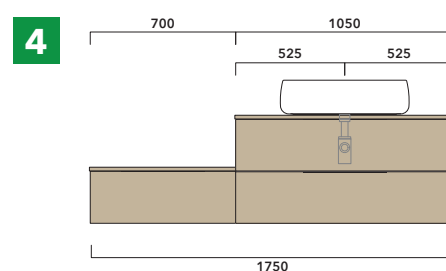
**1** | depth cm 50:  
n.1 **BX809** + n.1 **BX427** + **BXPR51** cm 155



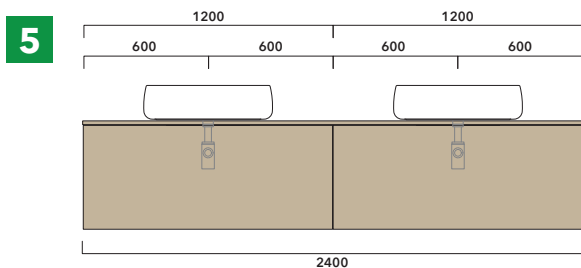
**2** | depth cm 50:  
n.2 **BX809** + **BXPR51** cm 140



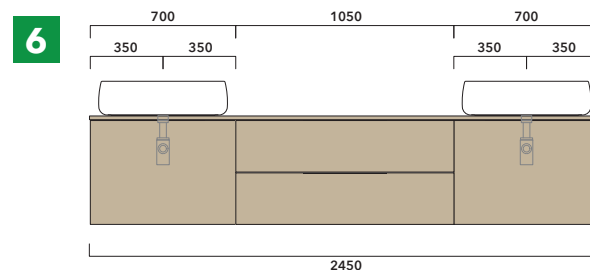
**3** | depth cm 50:  
n.1 **BX425** + n. 1 **BX995** + **BXPR51** cm 165



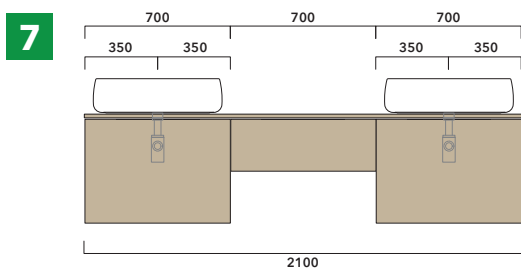
**4** | depth cm 50:  
n.1 **BX297** + n. 1 **BX839** + **BXPR51** cm 70 +  
**BXPR51** cm 105



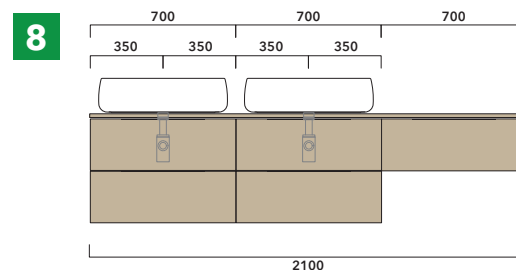
**5** | depth cm 50:  
n.2 **BX945** + **BXPR51** cm 240



**6** | depth cm 50:  
n.2 **BX805** + n.1 **BX437** + **BXPR51** cm 245



**7** | depth cm 50:  
n.2 **BX805** + n. 1 **BX297** + **BXPR51** cm 210



**8** | depth cm 50:  
n.2 **BX808** + n. 1 **BX297** + **BXPR51** cm 210

➔ **FLAMINIA.** MODULO PER LA REALIZZAZIONE DELLE COMPOSIZIONI MOBILI **BOX**  
CUSTOMIZED COMPOSITION FORM FOR **BOX** UNITS



E' obbligatorio fotocopiare questa pagina, compilarla con cura e allegarla all'ordine.  
It is compulsory to photocopy this page, carefully fill in and attach to the order.



**1** DETTAGLI ORDINE / ORDER DETAILS

ordinante - buyer

cliente - client

ordine - order n:

data - date:

ref.:

annotazioni - notes



**2** PROFONDITÀ MOBILE / UNIT DEPTH

É importante consultare il listino prezzi / It's important to consult price list

CM 37

CM 50



**3** DISEGNO / DRAWING



**4** ELENCO ARTICOLI / ARTICLE LIST

É importante consultare il listino prezzi / It's important to consult price list

art.

dim.

art.

dim.

art.

dim.

art.

dim.

art.

dim.

art.

dim.



**5** LAVABO DA APPOGGIO / COUTERTOP BASIN

FLAMINIA lavabo/basin art. \_\_\_\_\_

NO FLAMINIA lavabo/basin  
(allegare scheda tecnica / enclose a technical drawing)



**6** SCELTA FINITURA / FINISH SELECTION

OK ARLY

OJ BIANCO

OJ GRIGIO

OJ CANAPA