

## VL66L Volo 66

### Countertop - wall hung basin 66 cm

• WITH OVERFLOW • ARRANGED FOR THREE HOLES TAP

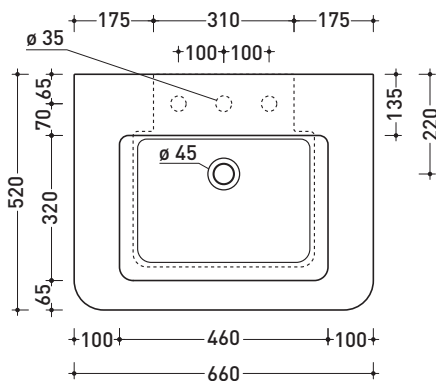
Complements: **Volo metal structure (VL66M)**  
**Forty6 shelf (F6VL66)**  
**Furniture BOX - depth. 50**  
**Line taps basin: ONE - NOKÉ - SI - FOLD - X1**  
**Line accessories: TWO - HOOP - NOKÉ - FOLD**

Technical accessories: **Chrome siphon (SIFL/CR) - Telescopic chrome siphon (SIFL066)**  
**Stop & Go drain (PLSG)**  
**CERAMIC Stop & Go drain (PLCE)**  
**Two piece set chrome tap filters (RF026)**

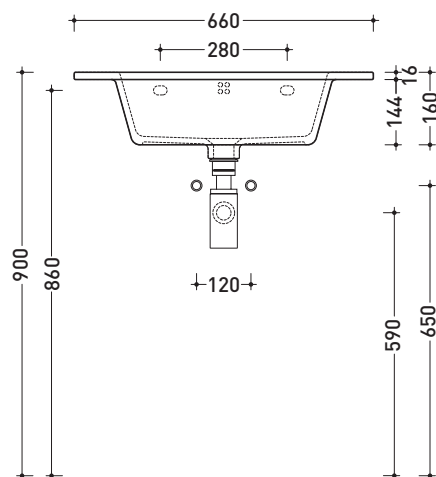
Package dim. 66 x 20 x 53,5 cm | Weight 21 kg | Pz. Pallet n° 12

UNI EN 14688 - CL20 Dop-No14688

COLOURED WHILE STOCKS LAST

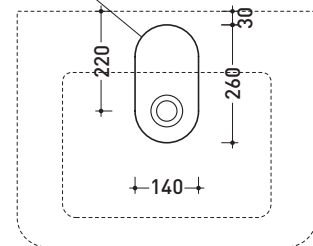


vista zenitale / zenital view

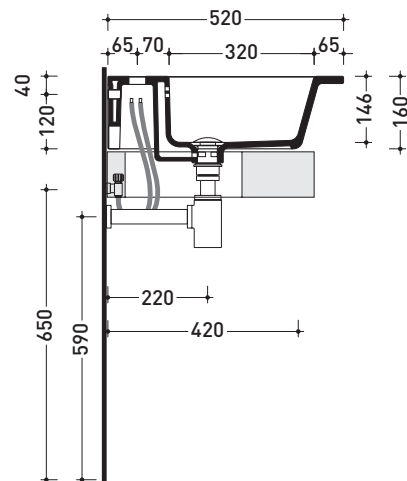


vista frontale / frontal view

foro consigliato sul piano  
suggested hole on the top



vista zenitale / zenital view



sezione longitudinale / section

sizes in mm

CERAMIC: glossy finish



white black

matt finish



milky white graphite lava grey

Please consider a 2% tolerance on indicated measurements

FOR THE COLORS MARKED ASK FOR AVAILABILITY