

design ROMANO ADOLINI

2006

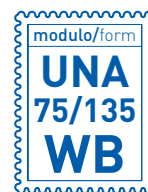
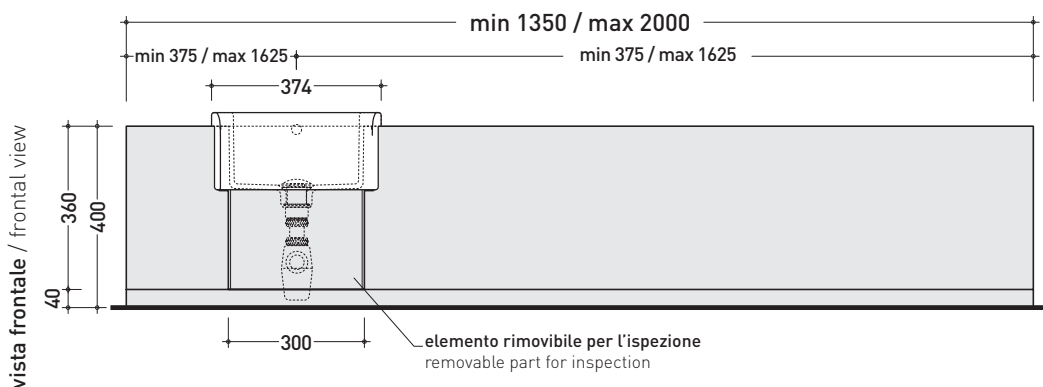
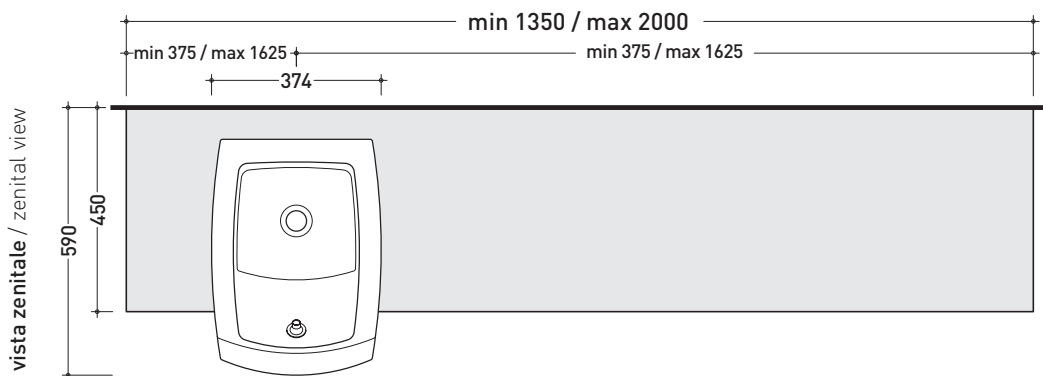
UNA135WB

Case from 135 to 200 x 45 x h 40 cm
suitable for semi-inset wc or bidet

Complements: Una semi-inset wc (UNA/WC)
Una semi-inset bidet (UNA/B)
Toilet set (UNAPF/R)
Una mixer (UNA2560)
Line accessories: TWO - HOOP - NOKÉ - FOLD



Tap holes are not made on this article by Flaminia



REFERENCE TO
THE COMPULSORY
ORDER FORM

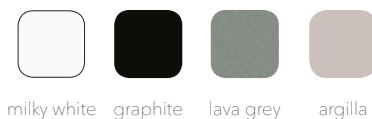
sizes in mm

Please consider a 2% tolerance on indicated measurements

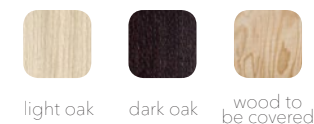
PIETRALUCE: finiture lucide

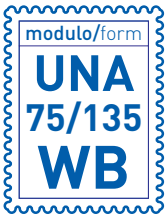


finiture opache



LEGNO: finiture





MODULO PER LA REALIZZAZIONE DI MOBILI **UNA** PER VASO O BIDET

UNA CUSTOMIZED CASES FOR **UNA** WC OR BIDET FORM



E' obbligatorio fotocopiare questa pagina, compilarla con cura e allegarla all'ordine.
It is compulsory to photocopy this page, carefully fill in and attach to the order.

➔➔ **1**

DETTAGLI ORDINE / ORDER DETAILS

ordinante - buyer _____ cliente - client _____

ordine - order n: _____ data - date: _____ ref.: _____

annotazioni - notes _____

➔➔ **2**

SCelta ARTICOLO / ITEM CHOICE

E' importante consultare prima la scheda tecnica relativa
It's important to consult before the technical detail

- art. **UNA75WB**
mobile / case da / from 75 a / to 135 cm
- art. **UNA135WB**
mobile / case da / from 135 a / to 200 cm

➔➔ **3**

SCelta MATERIALE / MATERIAL SELECTION

PIETRALUCE

- | | |
|--|---|
| <input type="checkbox"/> bianco - white | <input type="checkbox"/> sabbia - sand |
| <input type="checkbox"/> grigio - grey | <input type="checkbox"/> rosso cuoio - red |
| <input type="checkbox"/> beige - beige | <input type="checkbox"/> argilla - argilla |
| <input type="checkbox"/> nero - black | <input type="checkbox"/> latte - milky white |
| <input type="checkbox"/> blu ultram. - marine blue | <input type="checkbox"/> gr. lava - lava grey |
| <input type="checkbox"/> grafite - graphite | |

FINITURE LEGNO / WOOD FINISHES

- rovere moro - dark oak
- rovere sbiancato - light oak

LEGNO FENOLICO da rivestire
MULTILAYER WOODEN to be covered

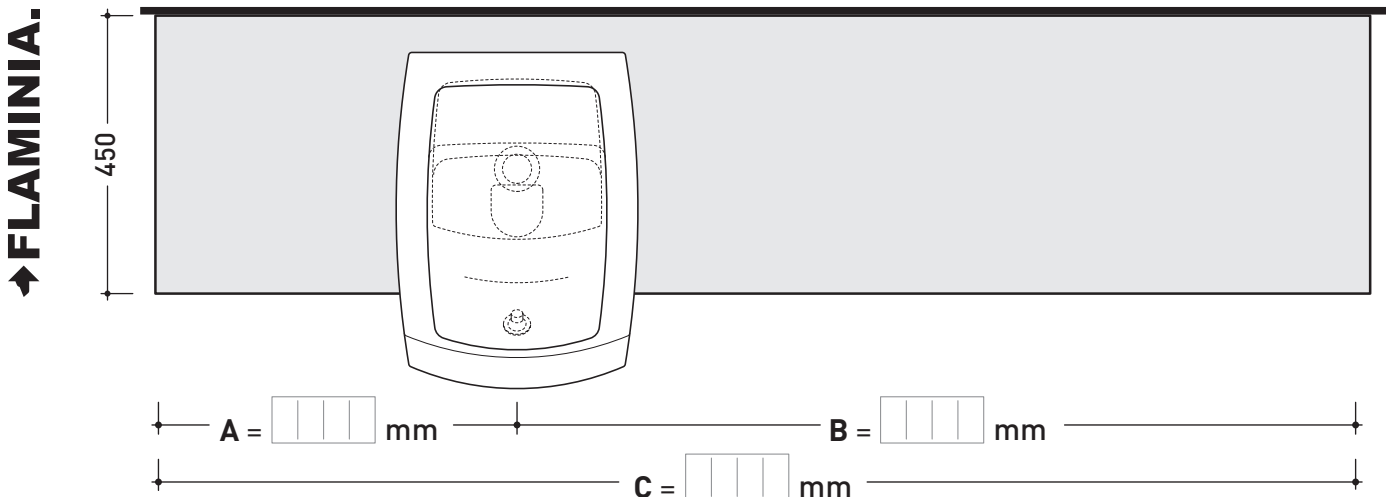
- 0 mm** [resine speciali - special resins]
- 5 mm** [gres porcellanato 3 mm
3 mm porcelain stoneware]
- 10 mm** [piastrelle, gres porcellanato 8-12 mm
8-12 mm tiles, porcelain stoneware]
- 15 mm** [piastrelle, gres porcellanato 12-14 mm
12-14 mm tiles, porcelain stoneware]
- 20 mm** [marmo e materiali lapidei 20 mm
20 mm marble and stone materials]

➔➔ **4**

SCelta MISURE / MEASURES

UNA75WB | min 375 / max 975 mm | min 375 / max 975 mm

UNA135WB | min 375 / max 1625 mm | min 375 / max 1625 mm



• **A** = misura interasse sanitario da sinistra / left distance of sanitaryware. • **C** = misura totale del mobile / total length of the case.
• **B** = misura interasse sanitario da destra / right distance of sanitaryware. • verificare sempre che / verify that: **A + B = C.**