

# Una

design ROMANO ADOLINI

2006

## UNAPF/R

Stainless steel toilet set made up of paper, brush and soap holders

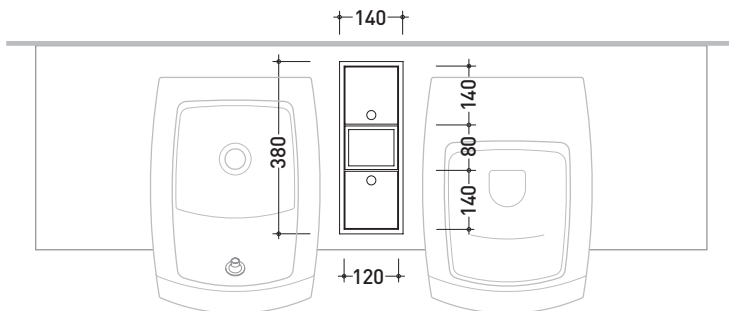
Complements: Line accessories: TWO - HOOP - NOKÉ - FOLD

Package dim. 42 x 19 x 44 cm | Weight 5,5 kg | Pz. Pallet n° -

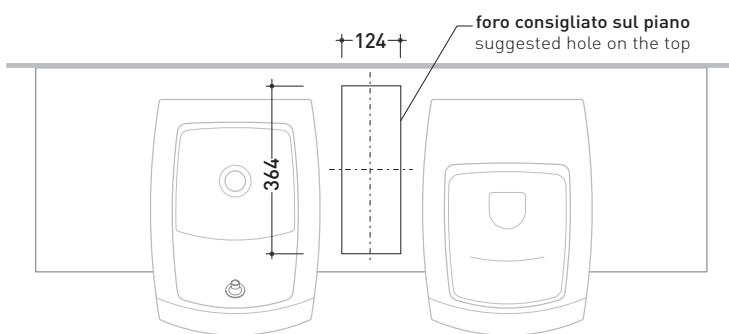
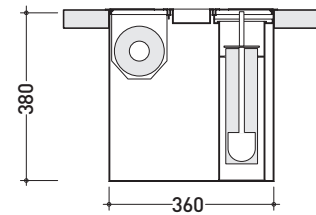
➔ FLAMINIA.



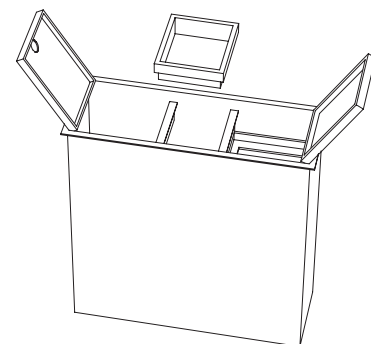
CE



vista zenitale / zenital view



vista zenitale / zenital view



sizes in mm

STEEL: glossy finish



chrome

<http://www.ceramicaflaminia.it/en/products/325-una>

©ceramicaflaminiaspa - All rights reserved. Unauthorized copying, publication, reproduction as well as partial reproduction are prohibited

may 2019

