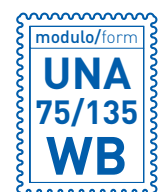
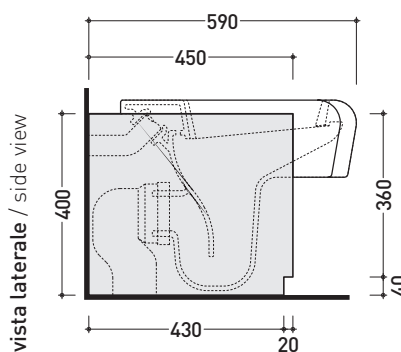
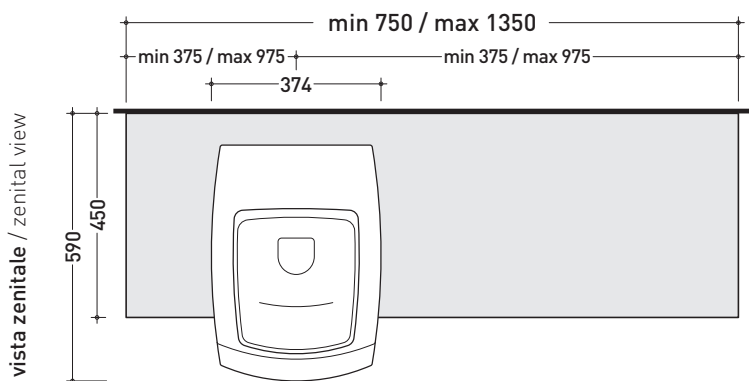


## UNA75WB

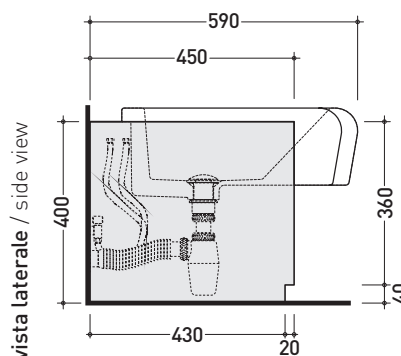
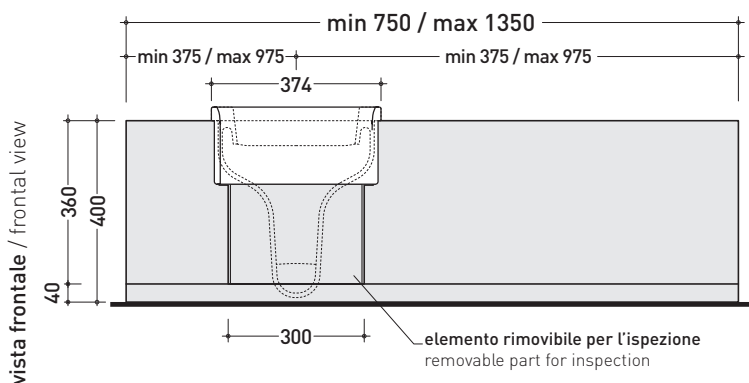
Case from 75 to 135 x 45 x h 40 cm  
suitable for semi-inset wc or bidet

Complements: Una semi-inset wc (UNA/WC)  
Una semi-inset bidet (UNA/B)  
Toilet set (UNAPF/R)  
Una mixer (UNA2560)  
Line accessories: TWO - HOOP - NOKÉ - FOLD

Tap holes are not made on this article by Flaminia



REFERENCE TO  
THE COMPULSORY  
ORDER FORM



sizes in mm

### PIETRALUCE: finiture lucide



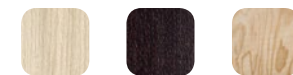
white black marine blue red beige sand grey

### finiture opache

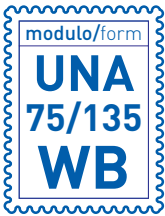


milky white graphite lava grey argilla

### LEGNO: finiture



light oak dark oak wood to be covered



MODULO PER LA REALIZZAZIONE DI MOBILI **UNA** PER VASO O BIDET

**UNA** CUSTOMIZED CASES FOR **UNA** WC OR BIDET FORM



**E' obbligatorio fotocopiare questa pagina, compilarla con cura e allegarla all'ordine.**  
It is compulsory to photocopy this page, carefully fill in and attach to the order.

➔➔ **1**

**DETTAGLI ORDINE / ORDER DETAILS**

ordinante - buyer \_\_\_\_\_ cliente - client \_\_\_\_\_

ordine - order n: \_\_\_\_\_ data - date: \_\_\_\_\_ ref.: \_\_\_\_\_

annotazioni - notes \_\_\_\_\_

➔➔ **2**

**SCelta ARTICOLO / ITEM CHOICE**

E' importante consultare prima la scheda tecnica relativa  
It's important to consult before the technical detail

- art. **UNA75WB**  
mobile / case da / from 75 a / to 135 cm
- art. **UNA135WB**  
mobile / case da / from 135 a / to 200 cm

➔➔ **3**

**SCelta MATERIALE / MATERIAL SELECTION**

**PIETRALUCE**

- |  |   |
|--|---|
| <input type="checkbox"/> bianco - white            | <input type="checkbox"/> sabbia - sand        |
| <input type="checkbox"/> grigio - grey             | <input type="checkbox"/> rosso cuoio - red    |
| <input type="checkbox"/> beige - beige             |   |
| <input type="checkbox"/> nero - black              | <input type="checkbox"/> argilla - argilla    |
| <input type="checkbox"/> blu ultram. - marine blue | <input type="checkbox"/> latte - milky white  |
| <input type="checkbox"/> grafite - graphite        | <input type="checkbox"/> gr. lava - lava grey |

**FINITURE LEGNO / WOOD FINISHES**

- rovere moro - dark oak
- rovere sbiancato - light oak

**LEGNO FENOLICO da rivestire**  
**MULTILAYER WOODEN to be covered**

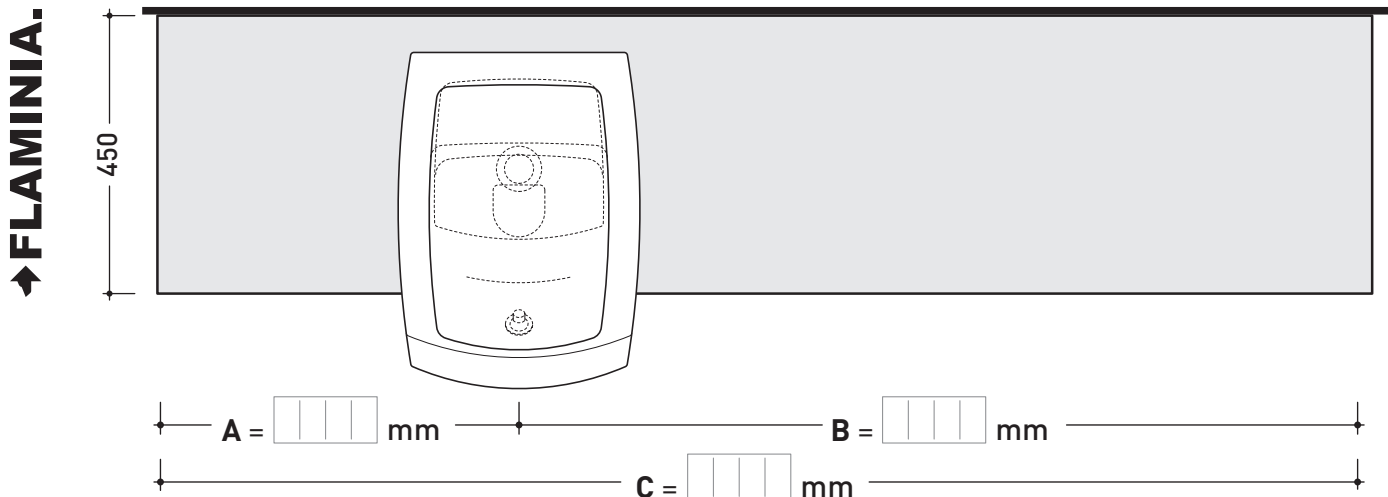
- 0 mm** [resine speciali - special resins]
- 5 mm** [gres porcellanato 3 mm  
3 mm porcelain stoneware]
- 10 mm** [piastrelle, gres porcellanato 8-12 mm  
8-12 mm tiles, porcelain stoneware]
- 15 mm** [piastrelle, gres porcellanato 12-14 mm  
12-14 mm tiles, porcelain stoneware]
- 20 mm** [marmo e materiali lapidei 20 mm  
20 mm marble and stone materials]

➔➔ **4**

**SCelta MISURE / MEASURES**

UNA75WB | min 375 / max 975 mm | min 375 / max 975 mm

UNA135WB | min 375 / max 1625 mm | min 375 / max 1625 mm



• **A** = misura interasse sanitario da sinistra / left distance of sanitaryware. • **C** = misura totale del mobile / total length of the case.  
• **B** = misura interasse sanitario da destra / right distance of sanitaryware. • verificare sempre che / verify that: **A + B = C.**