

## AP117G

Back to wall wc with **goclean®** system S/P trap  
(drainage connectors art. LK1012 included)

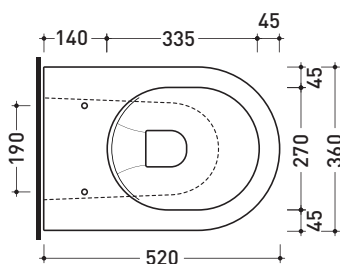
Complements: **Soft-closing thermosetting wrapping seat&cover** (QKCW03)  
**Soft-closing thermosetting wrapping seat&cover** (QKCW07)  
**SLIM soft-closing thermosetting seat&cover** (QKCW05)  
**SLIM soft-closing thermosetting seat&cover** (QKCW09)  
**gocare electronic multifunction coverseat** (FL7235 - FL7035R)  
**Niagara monoblock cistern** (TR38)  
**Line accessories: TWO - HOOP - NOKÈ - FOLD**

Technical accessories: **Floor fixing kit** (9003)

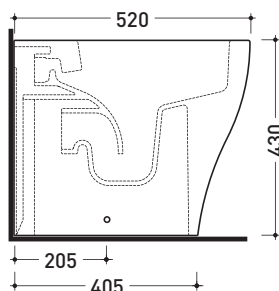
Package dim. | Weight **28 kg** | Pz. Pallet n° **15**



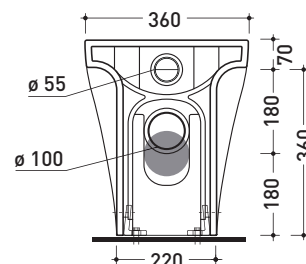
CE UNI EN 997 Dop-No997



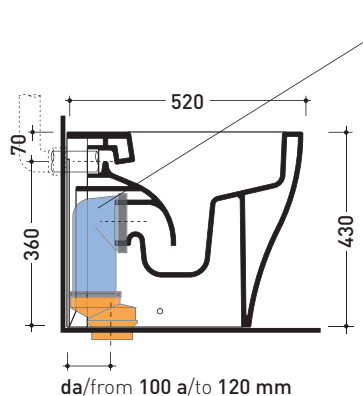
vista zenitale / zenital view



vista laterale / lateral view



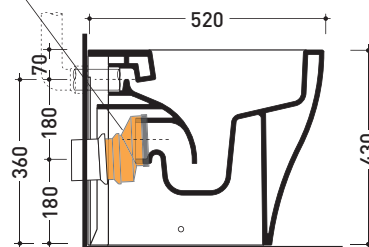
vista retro / back view



da/from 100 a/to 120 mm

sezione longitudinale / section

art. LK1012 (LKR90+LKR40)  
connessioni di scarico  
(in dotazione)  
drainage connector  
(included in the box)



sezione longitudinale / section

sizes in mm

Please consider a 2% tolerance on indicated measurements

CERAMIC: glossy finish



matt finish



**FLAMINIA does not recommend combining this toilet model with rapid-flow/flushometer systems or traditional high tanks**