

## MN54L Mono' 54

Countertop - wall hung basin 54 cm

●WITHOUT OVERFLOW ●ARRANGED FOR THREE TAP HOLES

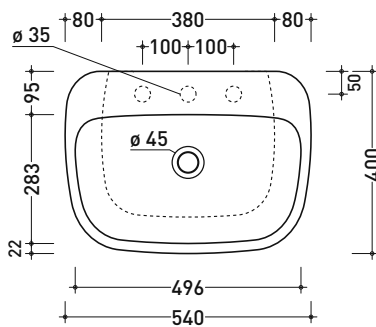
Complements: **Furniture BOX - depth. 37**  
**Line taps basin: ONE - NOKÉ - FOLD - SI - X1**  
**Line accessories: TWO - HOOP - NOKÉ - FOLD**

Technical accessories: **Chrome siphon (SIFL/CR) - Telescopic chrome siphon (SIFL066)**  
**Stop & Go drain (PLSG)**  
**CERAMIC Stop & Go drain (PLCE)**  
**Two piece set chrome tap filters (RF026)**  
**Fixing kit for wall (9002)**

Package dim. **55 x 19,5 x 41 cm** | Weight **19,5 kg** | Pz. Pallet n° **15**

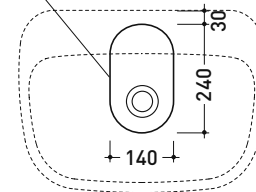


CE UNI EN 14688 - CL00 Dop-No14688

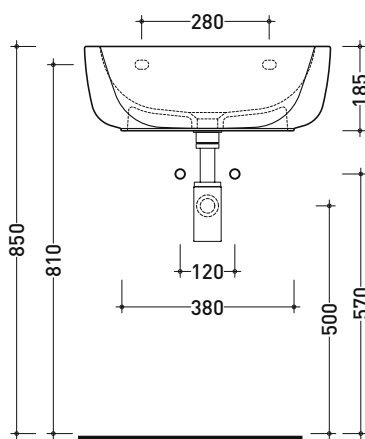


vista zenitale / zenital view

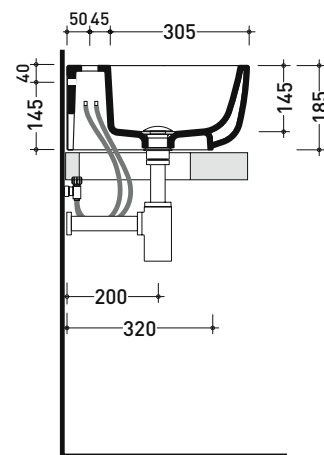
foro consigliato sul piano  
suggested hole on the top



vista zenitale / zenital view



vista frontale / frontal view



sezione longitudinale / section

sizes in mm

Please consider a 2% tolerance on indicated measurements

CERAMIC: glossy finish



matt finish

