

design **FLAMINIA DESIGN TEAM**

1990

6004

Back-pack cistern

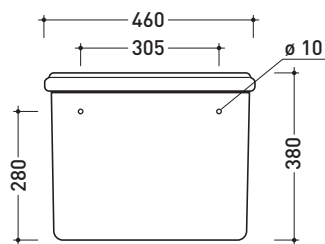
Complements: **Efi wcs** (6010 - 6011)
Line accessories: EVERGREEN

Technical accessories: **Dual flushing discharge system - Chrome/gold/Bronze** [9102]

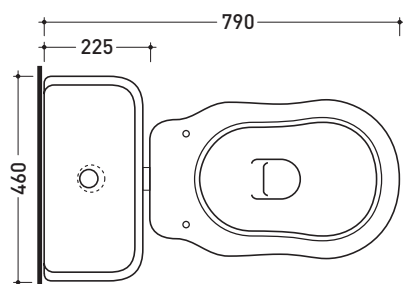
Package dim. | Weight **10,5 kg** | Pz. Pallet n° **20**



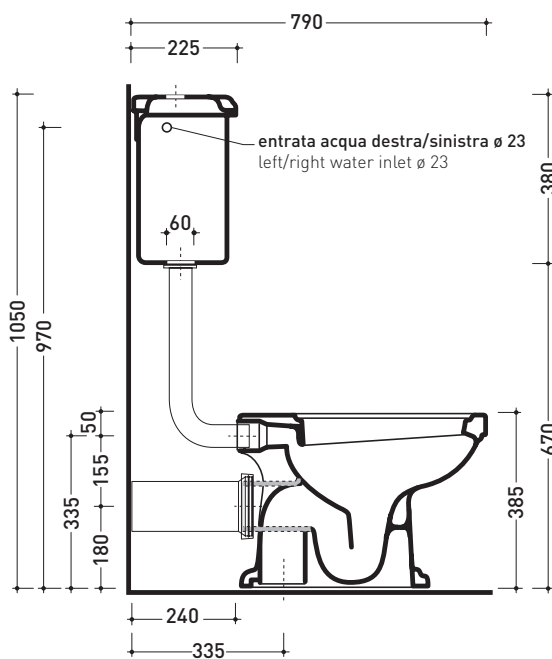
CE



vista retro / back view



vista zenitale / zenital view



sezione longitudinale / section

sizes in mm

Please consider a 2% tolerance on indicated measurements

CERAMIC: glossy finish

matt finish



white

black



milky white