

3050

Ceramic console cm 105

•WITH OVERFLOW •ARRANGED FOR THREE TAP HOLES

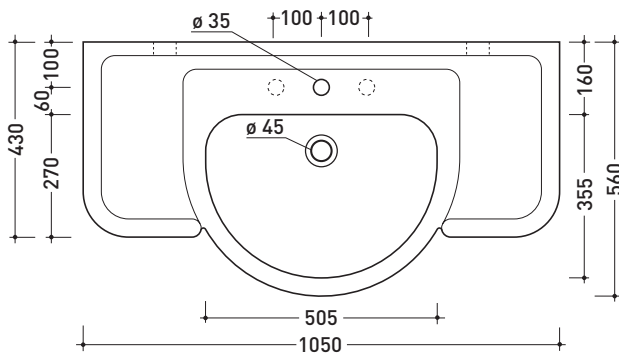
Complements: **Metal structure suitable for Fidia console (3017)**
Line taps basin: EVERGREEN
Line accessories: EVERGREEN

Technical accessories: **Chrome siphon (SIFL/CR) - Telescopic chrome siphon (SIFL066)**
Stop & Go drain (PLSG)
Ceramic Stop & Go drain (PLCE)
Two piece set chrome tap filters (RF026)
Wall fixing kit (9002)

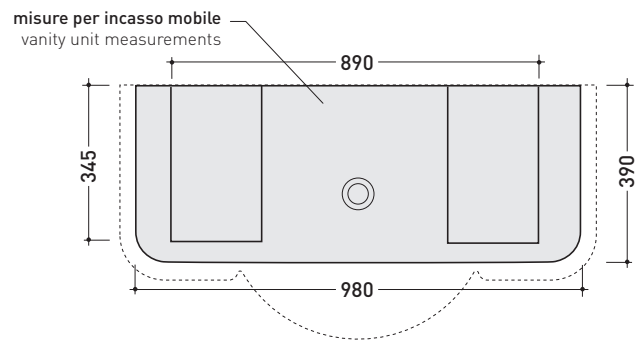
Package dim. | Weight **38 kg** | Pz. Pallet n° **6**



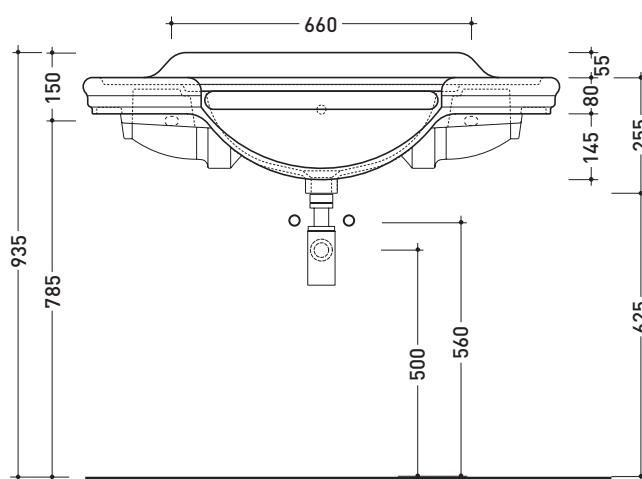
CE UNI EN 14688 - CL20 Dop-No14688



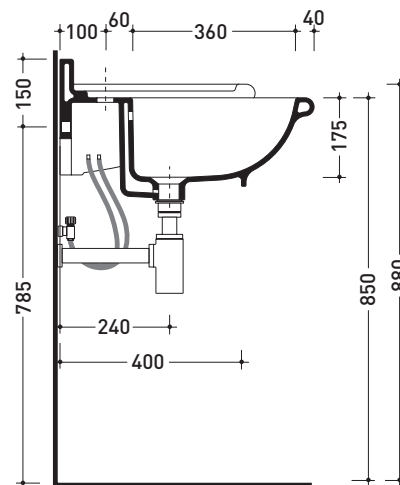
vista zenitale / zenital view



vista inferiore / bottom view



vista frontale / frontal view



sezione longitudinale / section

sizes in mm

Please consider a 2% tolerance on indicated measurements

CERAMIC: glossy finish

matt finish



white



black



milky white