

design **FLAMINIA DESIGN TEAM**

**1987**

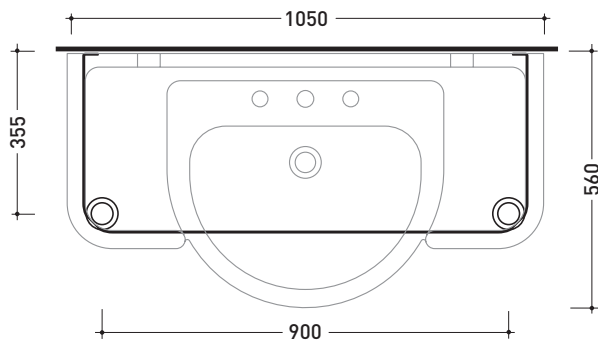
## 3017

**Metal structure suitable for Fidia 105 console**

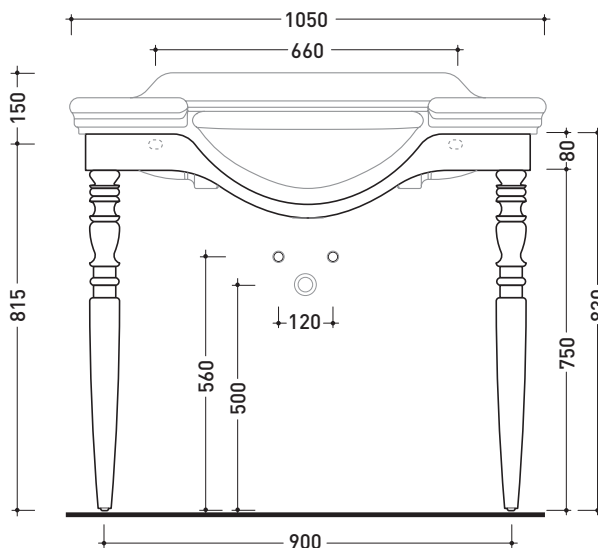
Complements: **Fidia console (3050)**  
Line accessories: **EVERGREEN**

Technical accessories: **Chrome siphon (SIFL/CR) - Telescopic chrome siphon (SIFL066)**  
**Stop & Go drain (PLSG)**  
**Ceramic Stop & Go drain (PLCE)**  
**Two piece set chrome tap filters (RF026)**  
**Wall fixing kit (9002)**

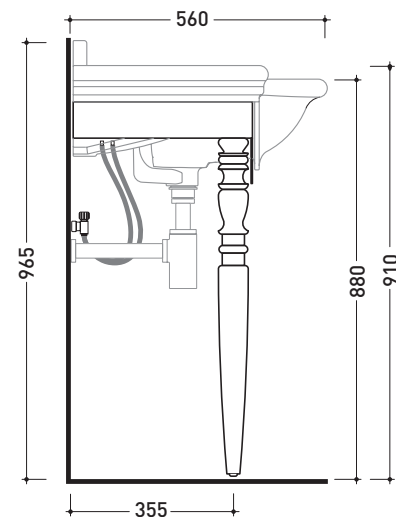
Package dim. | Weight **15 kg** | Pz. Pallet n° -



vista zenitale / zenital view



vista frontale / frontal view



vista laterale / lateral view

sizes in mm

**METAL:** glossy finish



white



chrom



gold