

MA95L

Basin 95 cm wall hung - countertop - on pedestal installation

•WITH OVERFLOW •ARRANGED FOR 3 TAP HOLES

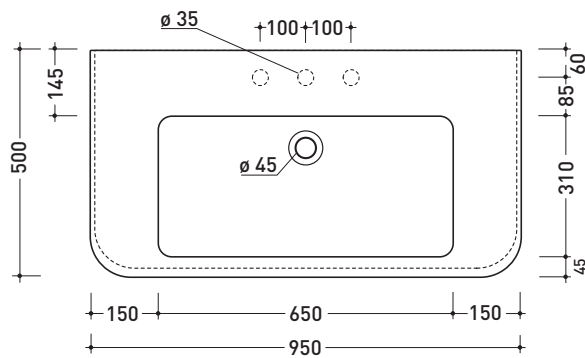
Complements: MADRE mirror (MASPE75)
Line taps basin EVERGREEN - X1
Line accessories EVERGREEN

Technical accessories: Chrome siphon (SIFL/CR) - Gold siphon (SIFDR)
Stop & Go drain (PLSG)
CERAMIC Stop & Go drain (PLCE)
Two piece set chrome tap filters (RF026)
Wall fixing kit (9002)

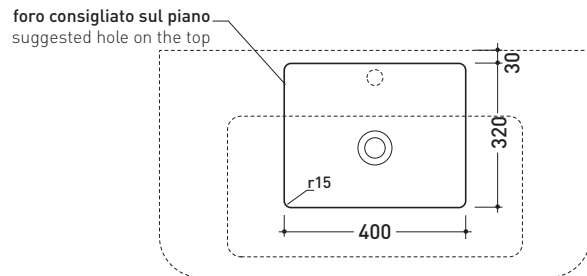
Package dim. | Weight **29,5 kg** | Pz. Pallet n°



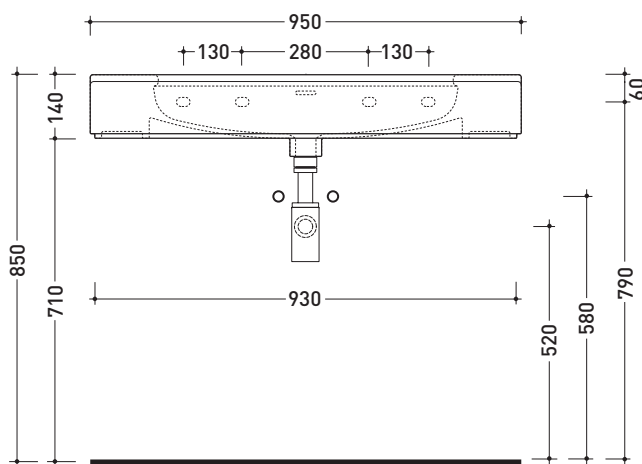
CE UNI EN 14688 - CL20 Dop-No14688



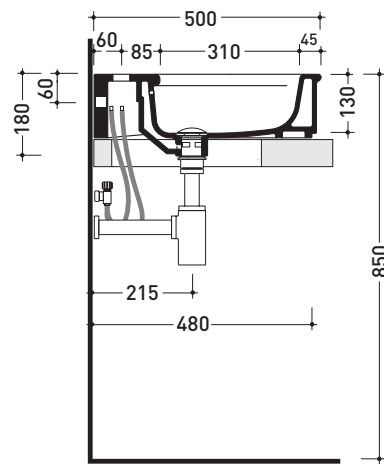
vista zenitale / zenital view



vista zenitale / zenital view



vista frontale / frontal view



sezione longitudinale / section

sizes in mm

Please consider a 2% tolerance on indicated measurements

CERAMIC: glossy finish

matt finish

