

Plate

➔ **FLAMINIA.**

design **PATRICK NORGUET**

2008

PT64L Plate 64

Wall hung basin 64 cm

• WITHOUT OVERFLOW • WITHOUT TAP LEDGE

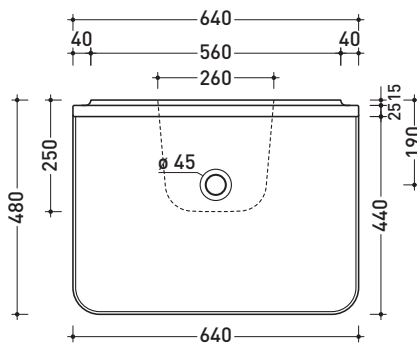
Complements: **Line taps basin:** ONE - NOKÈ - SI
Line accessories: TWO - HOOP - NOKÈ - FOLD

Technical accessories: **Chrome siphon (SIFL/CR) - Telescopic chrome siphon (SIFL066)**
Stop & Go drain (PLSG)
CERAMIC Stop & Go drain (PLCE)
Two piece set chrome tap filters (RF026)

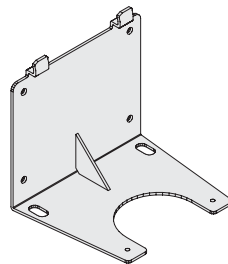
Package dim. **65 x 29 x 50 cm** | Weight **22 kg** | Pz. Pallet n° **10**



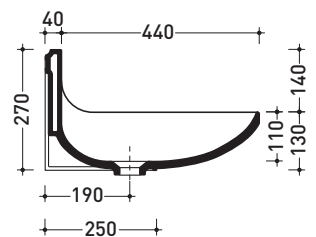
CE UNI EN 14688 - CL00 Dop-No14688



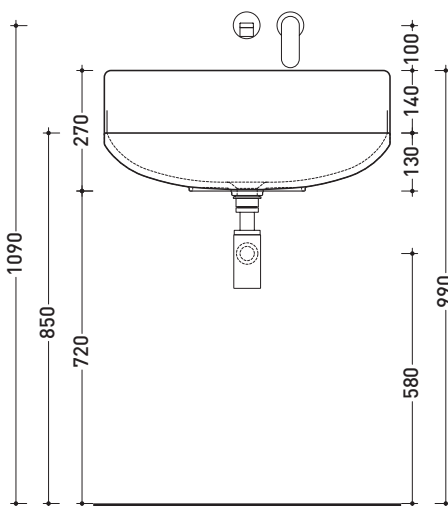
vista zenitale / zenital view



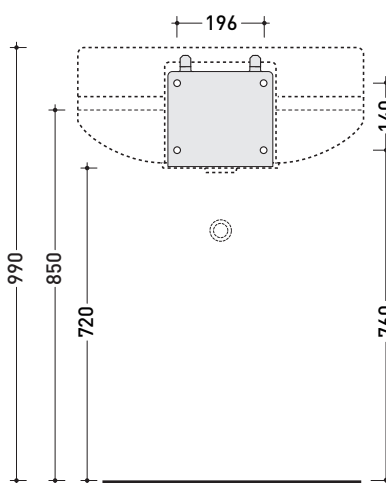
staffa di fissaggio
fixing bracket



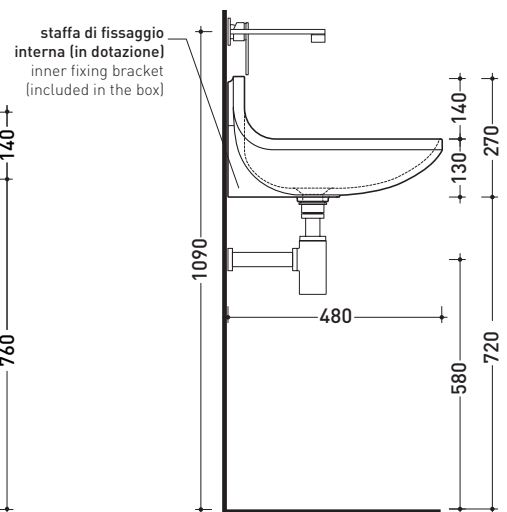
sezione longitudinale / section



vista frontale / frontal view



vista frontale fissaggio staffa
fixing bracket frontal view



vista laterale / lateral view

sizes in mm

Please consider a 2% tolerance on indicated measurements

CERAMIC: glossy finish



white black

matt finish



milky white graphite lava grey

FOR THE COLORS MARKED
ASK FOR AVAILABILITY

<http://www.ceramicaflaminia.it/en/products/310-plate>

©ceramicaflaminiaspa - All rights reserved. Unauthorized copying, publication, reproduction as well as partial reproduction are prohibited

april 2019

