

2018

601801

OLI74 PLUS MECHANIC SANITARBLOCK

Pre-assembled structure for installation in front of masonry wall and finish in light wall and plasterboard wall with dualflush cistern (6/3 lt) suitable to wall hung wcs

INCLUDED:

- 1 Flush pipe \varnothing 90 x 250
- 1 Seal for flush pipe \varnothing 125
- 1 Connecting pipe \varnothing 45 x 180
- 1 Adaptor \varnothing 90 / 90/110
- 1 Protective box
- 1 G 1/2" stop valve
- 1 Pan rubber seal \varnothing 45
- 1 Protection sponge for the stop valve
- 1 Flush bend \varnothing 90 / 90 L230
- 1 Protection pipe \varnothing 90
- 1 Protection pipe \varnothing 45

COMPATIBLE WITH ALL FLAMINIA WALL-HUNG WC PANS

Package dim.	Weight 15 kg	Pz. Pallet n°
--------------	---------------------	---------------

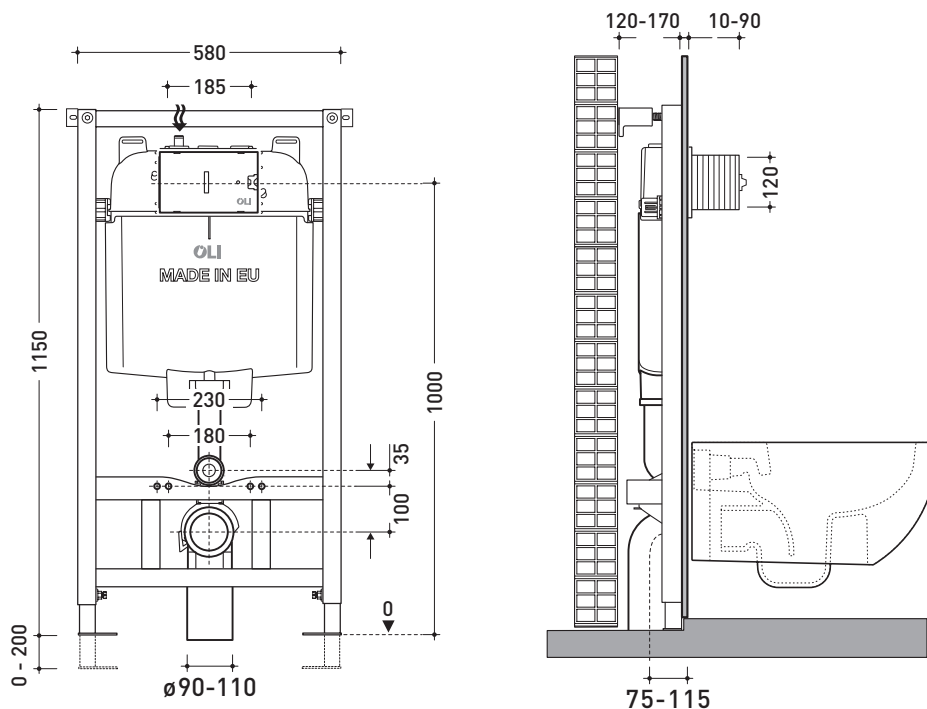
CE EN 14055 CL1

STRUCTURE:

- In painted tubular corrosion resistant
- Easy and quick installation with Fast Fit system
- Minimum thickness of 120mm and adjustable up to 170mm
- Height regulation of the adjustable floor brackets (0-200 mm);
- Depth adjustable outlet bend
- Tested for 400kg load

CISTERN

- Dual flush of 6/3 litres (adjustable to 4,5/3 - 4/2,6 - 4/2)
- Mechanic actuation
- Working pressure from 0,1 to 16 bar
- Resistance to atmospheric humidity (Hr <90%).
- Polypropylene (PP) cistern highly resistant and inalterable to thermal stress
- Certified cistern according KIWA/SABS/SAI/WRAS/WSD/UPC standards CE EN 14055 marking CL1
- Equipped with Azor Plus Inlet Valve, with delayed refilling (saves up to 9 litres of water per day) and silent according to the NF standard category Class I
- Supplied with anti-condensation lining
- "A" class for the Water Efficiency in compliance with the ANQIP Authority requirements



sizes in mm

<http://www.ceramicaflaminia.it/it>

©ceramicaflaminiaspa - All rights reserved. Unauthorized copying, publication, reproduction as well as partial reproduction are prohibited

june 2019

