

# Water Drop

➔ **FLAMINIA.**

design **LUCA CIMARRA**

2016

## DR100 Water Drop100x70

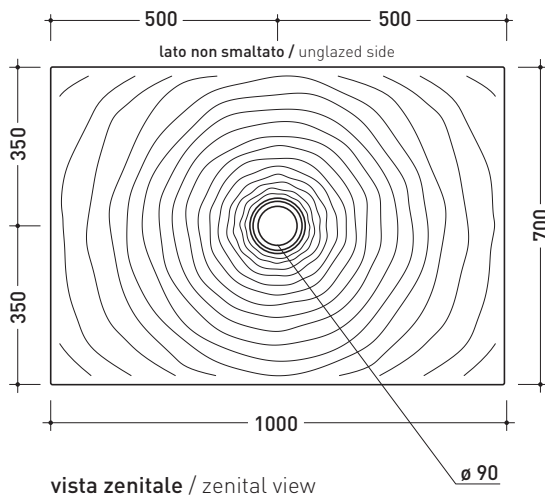
Laid on or built-in in the floor shower tray 100x70 cm  
(ø 90mm drainage system not included)

Complements: **BAMB00 composable shower box**  
Line taps shower: ONE - NOKÉ - SI - FOLD - X1  
Line accessories: TWO - HOOP - NOKÉ - FOLD

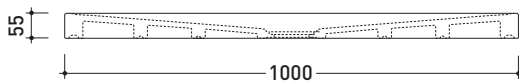
Technical accessories: **drainage system with CHROME cover ø 90mm (PLFR)**  
**drainage system with CERAMIC cover ø 90mm (PLFC)**

Package dim. | Weight **32,2 kg** | Pz. Pallet n° **10**

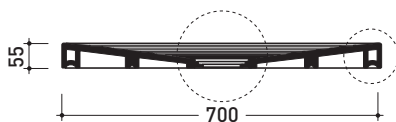
CE UNI EN 14527 Dop-No14527



vista zenitale / zenital view

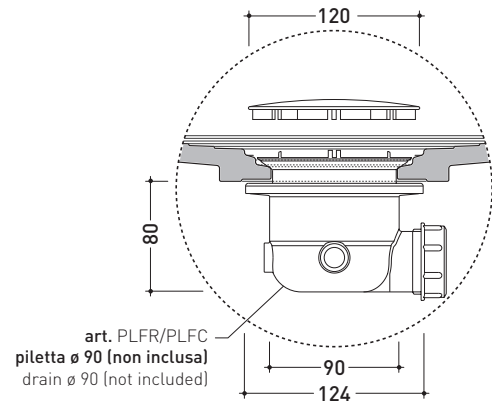


vista frontale / frontal view

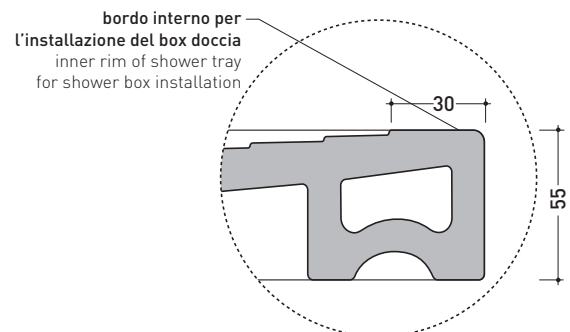


sezione longitudinale / section

### PILETTA CONSIGLIATA / SUGGESTED DRAIN



Piletta sifonata / Drainage  
Portata / Flow rate: 0,52 l/sec (EN 274 >0,4 l/sec)



dettaglio del bordo / shower tray rim detail

sizes in mm

Please consider a 2% tolerance on indicated measurements

CERAMIC: glossy finish



matt finish



<http://www.ceramicaflaminia.it/en/products/329-water-drop>

©ceramicaflaminiaspa - All rights reserved. Unauthorized copying, publication, reproduction as well as partial reproduction are prohibited

may 2019

